

VENTA®  
BY BÜCHER DESIGN

2026

*"We have invested all of our energy into making our furniture as functional as possible, but with such elegant designs that this is not immediately obvious."*

*Karl Büchin, General Manager Büchin Design, Berlin*



## **Büchin Design develops, builds and sells individual furniture for the hotel industry and events catering business under the brand name „VENTA by Büchin Design“.**

The high-quality buffet furniture includes exclusive cocktail tables and stylish buffet tables as well as matching modern stools. Most VENTA furnishings can be folded up or stacked together to save space, and can be assembled and disassembled in just a few easy steps, without the need for any tools.

All of our buffet furniture is mobile and can be used anywhere. It meets the high demands of the hotel, events and catering industry in every respect.

Our VENTA products have an exclusive design and are available worldwide.

Most of our VENTA products are manufactured in Germany, and we are pleased to appear with the “Made in Germany” seal at trade fairs both in Germany and abroad.

## 00 Lookbook Impressions

page 6



Schlosshotel Berlin by Patrick Hellmann	page 6
Marriott Hotel München	page 10
Aviator Hotel Hampshire	page 13
Mondrian Hotel Doha	page 14
Lindner Hotel Düsseldorf	page 16

## 01 Buffet Tables (on castors)

page 18



Castor sizes	page 22
Stage 80 tables	page 24
Stage 50 tables	page 30

## 02 System with two Table Tops (on castors)

page 36



Stage 80 S tables & table-tops	page 38
Stage 50 S tables & table-tops	page 42

## 03 Action Stations (on castors)

page 44



Induction tables	page 46
Chafing-dish	page 62
Cool and hot buffet	page 72
Cold buffet	page 82
Elements	page 94

## 04 Buffet Accessories

page 110



Front- & sideblinds	page 112
Aperture & shelf	page 120
Heat bridge & heat lamp	page 130
Sneezeguard & frontshield	page 144
Etagere	page 156
Plate warmer	page 160

## 05 Special Buffet Furniture

page 164



Service cart	page 166
Quad 230	page 167
Corner tables	page 168
Duck station	page 173
Table rack	page 174

## 06 Foldable Buffet Tables

page 176



Scape  
Level

page 178  
page 185

## 07 Cocktail Tables + Bar Area

page 186



Set cocktail tables  
LED frame  
Plate & by  
Hospi desk  
Backbar  
ELEMENTS - Mobile bar

page 188  
page 194  
page 202  
page 204  
page 206  
page 212

## 08 Service Furniture

page 222



Coffee station  
Cupboard  
Rack

page 224  
page 226  
page 229

## 09 Equipment for all Furniture

page 232



Heavy load strut & cable duct  
Rollerskate quadro & silicone pad  
Plugbar & cables  
Protective cover  
LED panels  
Lectern

page 234  
page 237  
page 240  
page 243  
page 244  
page 246

## 10 Material + Color

page 250



Metal colors  
Glass colors  
Compact panel & chipboard colors  
Plywood with HPL colors  
Polyester colors

page 252  
page 253  
page 254  
page 256  
page 257

## 11 Partner & Reseller References Worldwide

page 258



Showroom Munich - Germany  
Showroom Düsseldorf - Germany  
Showroom Raleigh, Chicago, New York - USA  
Zieher (partner)  
Frilich (partner)  
References worldwide

page 260  
page 262  
page 264  
page 266  
page 268  
page 270











Salty Pumpkin  
Sunflower seeds

Whole Grain Buns  
Avocado, Egg

Energy  
Balls

Handmade  
Crackers



Mix Your Favorites!  
Buddha Bowls





VENTALE SALINI  
CANTIERI DELLA ALBA E DEL  
MIGLIORINO

SOUP OF THE DAY  
PLEASE ORDER TO AVOID ANY  
ALLERGIES









table-top: compact panel  
decor: Dark Grey Chicago Concrete (415)



# Buffet Tables on castors

STAGE\_80 | STAGE\_50

all tables nested and  
adjusted at the lowest  
height



**Item No.: 81001**

L: 1960 x 800 x 935 mm

M: 1800 x 800 x 855 mm

2 x XS: 800 x 800 x 775 mm

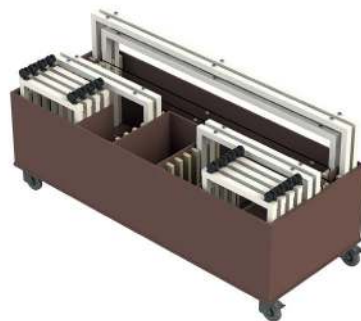
total weight: 119,8 kg

## STAGE – the modular buffet system

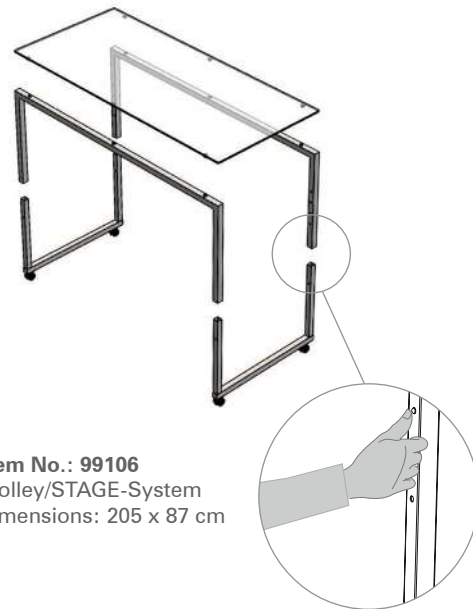
modern look & easy to move  
simple, functional, good-looking.

The modular buffet table system STAGE\_80 can be assembled and disassembled in just a few easy steps, without the need for any tools.

The trolley system allows you to storage all four tables in a mobile wooden box on wheels.

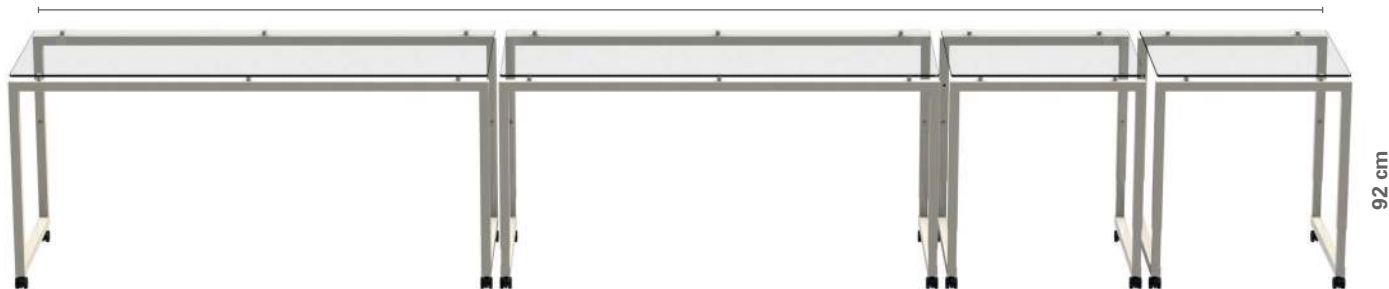


explosion view/  
main parts



Item No.: 99106  
Trolley/STAGE-System  
dimensions: 205 x 87 cm

total buffet length: 536 cm



all tables in a row/adjusted at the same height

## Features

**SYSTEM SIZE** – table system available in three standard lengths (L=196 cm, M=180 cm, 2 x XS=80 cm).

**NESTING** – the three standard sizes can be pushed together, so that only 1,96 m of the 5,36 m buffet table length is required as NESTING system.

**COMBINE** – system available in two table depths, 80 cm = classic buffet size/50 cm = table depth for smaller meeting rooms. Combinations of the two table depths result in interesting buffet variants or e.g. a MOBILE BAR.

**ADAPTIVE** – each table can be optimised for the respective area of use with additional equipment (e.g. shelves below the table surface for use as a plate shelf).

**CHANGEABLE** – a light, elegant buffet system consisting only a metal frame for the table legs and a transparent glass top. Or a buffet system with full equipment including appliances for heating and cooling, thermal bridges, shelves and blinds – STAGE can do both.

**FUNCTIONAL** – wheel diameter in three sizes suitable for the application: small = in the room or on the floor/medium = in the whole hotel, also suitable for lifts or smaller thresholds/large = inhouse and outdoor, also usable on the terrace.

**ADJUSTABLE HEIGHT** – four table heights can be adjusted at each table in a grid of 8 cm, thus enabling an interesting and varied furniture construction.

**MOBILE** – buffet table on wheels, which can be moved in any room and throughout the hotel, all wheels are lockable to fix the table in place.

**STORAGE** – if required, the system can be dismantled without tools and stowed in trolleys (wooden boxes on wheels), each part has a fixed place due to a grid system and cannot be damaged during transport.

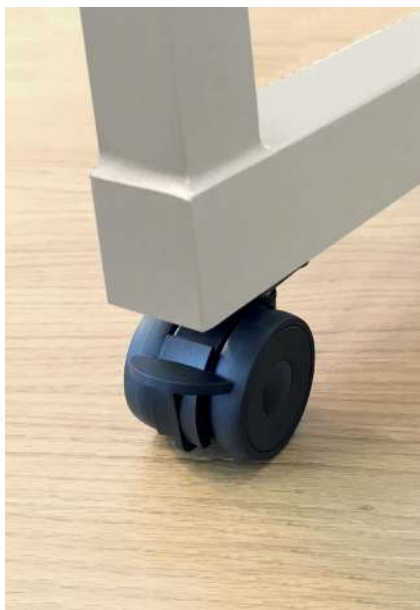
**COLOR** – elegant lacquering of the table frames and the table tops (underside of the glass tops), so the matching color to the room concept is selectable.

**DECOR** – table tops available in „compact top“ material with various decorative surfaces (photo reproduction: wood, stone, metal).

**BLINDS** – various decor panels to choose from, variants from completely closed to translucent, can be quickly assembled and disassembled by magnet attachment, enables „invisible supply“.

## Three castor sizes for STAGE buffet tables – generally recommended for indoor use.

Ø = 50 mm/suitable for using on all grounds, but at the same level.



Ø = 65 mm/standard size suitable for using an elevator (to cross the gap), for longer distance and high pile carpet.



Ø = 75 mm/suitable for using anywhere, especially for catering purposes.

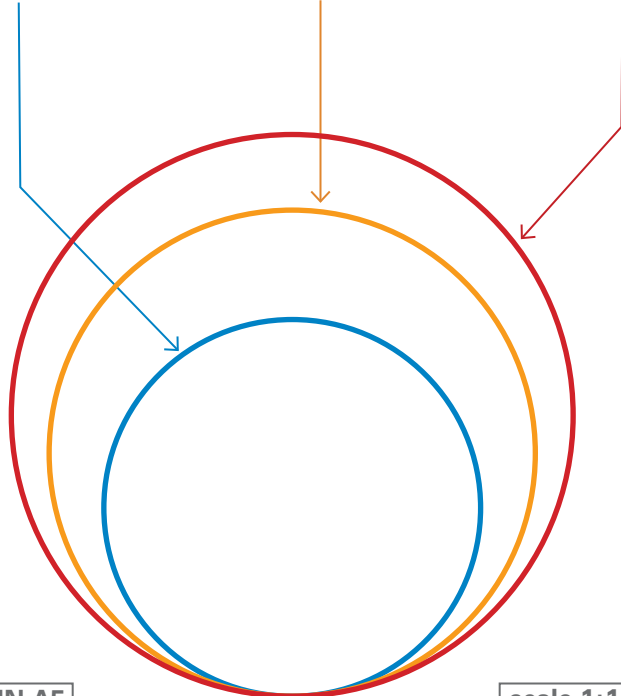


# Castor sizes – influence the height of the tables | all sizes useable for buffet purpose

table height: 92,0 cm  
Ø = 50 mm

table height: 93,5 cm  
Ø = 65 mm

table height: 94,5 cm  
Ø = 75 mm



DIN A5

scale 1:1

standard size / Ø = 65 mm



## STAGE\_80 | set of 4 tables

### Item No.: 81001

L: 1960 x 800 x 935 mm  
M: 1800 x 800 x 855 mm  
2 x XS: 800 x 800 x 775 mm  
total weight: 119,8 kg

### Base (inkl. castors)

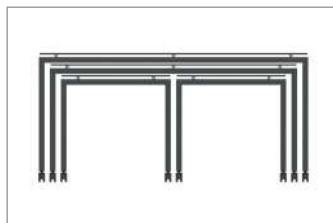
steel, powder-coated  
profile 40 x 40 mm, with height  
compensation  
weight: 18,3 kg, 17,3 kg, 2 x 13,3 kg

### Table-top

compact laminate 10 mm,  
weight: 21 kg, 19 kg, 2 x 8,8 kg

### Height adjustable-system

L: 935, 1015, 1095, 1175 mm  
M: 855, 935, 1015, 1095 mm  
XS: 775, 855, 935, 1015 mm



connection between table-top and base



height can  
be adjusted  
(77,5-117,5 cm)



arrangement of the four buffet tables



### MATERIAL+COLOR

**basic**  
base: 100, 101  
table-top: 300, 465, 466

**option**  
all available colors in chapter  
MATERIAL+COLOR

table on castors →

### Item No.: 99106

Trolley for 1 x STAGE\_80 (set of 4 tables)



weight: 85 kg [empty] / 204,8 kg [full]

## STAGE\_80 | set of 3 tables

### Item No.: 81094

L: 1960 x 800 x 935 mm  
M: 1800 x 800 x 855 mm  
S\_164: 1640 x 800 x 775 mm  
total weight: 155,3 kg

### Base

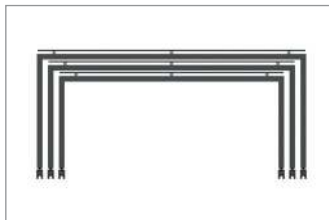
steel, powder-coated  
profile 40 x 40 mm, with height  
compensation  
weight: 18,3 kg, 17,3 kg, 15,7 kg

### Table-top

compact laminate 10 mm,  
weight: 21 kg, 19 kg, 2 x 17 kg

### Height adjustable-system

L: 935, 1015, 1095, 1175 mm  
M: 855, 935, 1015, 1095 mm  
S\_164: 775, 855, 935, 1015 mm



connection between table-top and base



height can  
be adjusted  
(77,5-117,5 cm)



### MATERIAL+COLOR

**basic**  
base: 100, 101  
table-top: 300, 465, 466

**option**  
all available colors in chapter  
MATERIAL+COLOR



### Item No.: 99106

Trolley for 1 x STAGE\_80 (set of 3 tables)



weight: 85 kg [empty] / 240,3 kg [full]

## STAGE\_80\_L

### Item No.: 81002

[LxWxH]: 1960 x 800 x 935 mm  
total weight: 39,3 kg

### Base

2 x main frame 11,6 kg  
2 x table leg 6,2 kg  
steel, powder-coated  
profile 40 x 40 mm, with height  
compensation

### 4 x Castor

diameter = 65 mm  
weight: 0,5 kg

### Height adjustable:

935 mm (lowest height)  
1015, 1095, 1175 mm

### Table-top

compact laminate 10 mm,  
weight: 21 kg

### Alternative:

### Table-top

safety glass 10 mm  
weight: 38 kg

height can  
be adjusted  
(93,5-117,5 cm)



### MATERIAL+COLOR

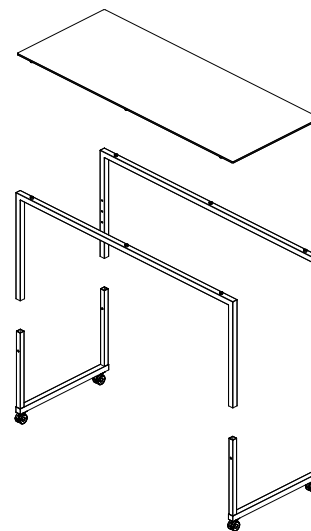
#### basic

base: 100, 101  
table-top: 300, 465, 466

#### option

all available colors in chapter  
MATERIAL+COLOR

assembly of individual parts without tools



### Item No.: 99107

Trolley for 4 x STAGE\_80\_L (maximum load)



weight: 85 kg [empty] / 242,2 kg [full]

## STAGE\_80\_M

### Item No.: 81003

[LxWxH]: 1800 x 800 x 855 mm  
total weight: 35,8 kg

### Base

2 x main frame 10,6 kg  
2 x table leg 6,2 kg  
steel, powder-coated  
profile 40 x 40 mm, with height  
compensation

### 4 x Castor

diameter = 65 mm  
weight: 0,5 kg

### Height adjustable:

855 mm (lowest height)  
935, 1015, 1095 mm

### Table-top

compact laminate 10 mm,  
weight: 19 kg

### Alternative:

### Table-top

safety glass 10 mm  
weight: 35 kg

height can  
be adjusted  
(85,5-109,5 cm)



### MATERIAL+COLOR

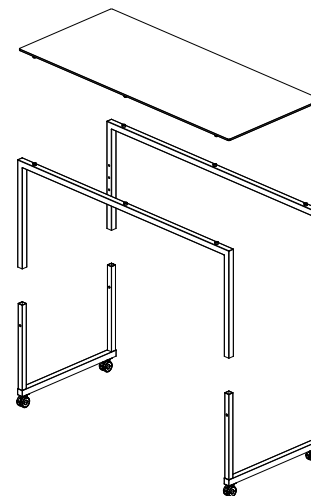
#### basic

base: 100, 101  
table-top: 300, 465, 466

#### option

all available colors in chapter  
MATERIAL+COLOR

assembly of individual parts without tools



### Item No.: 99109

Trolley for 4 x STAGE\_80\_M (maximum load)



weight: 75 kg [empty] / 218,2 kg [full]

## STAGE\_80\_S\_164

### Item No.: 81056

[LxWxH]: 1640 x 800 x 775 mm  
total weight: 32,7 kg

### Base

2 x main frame 9,0 kg  
2 x table leg 6,2 kg  
steel, powder-coated  
profile 40 x 40 mm, with height  
compensation

height can  
be adjusted  
(77,5-101,5 cm)



### MATERIAL+COLOR

#### basic

base: 100, 101  
table-top: 300, 465, 466

#### option

all available colors in chapter  
MATERIAL+COLOR

### 4 x Castor

diameter = 65 mm  
weight: 0,5 kg

### Height adjustable:

755 mm (lowest height)  
855, 935, 1015 mm

### Table-top

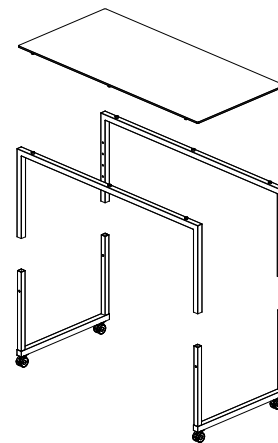
compact laminate 10 mm,  
weight: 17 kg

### Alternative:

#### Table-top

safety glass 10 mm  
weight: 31 kg

assembly of individual parts without tools



### Item No.: 99123

Trolley for 4 x STAGE\_80\_S\_164 (maximum load)



weight: 72 kg [empty] / 229,2 kg [full]

## STAGE\_80\_XS

### Item No.: 81004

[LxWxH]: 800 x 800 x 775 mm  
total weight: 22,1 kg

### Base

2 x main frame 6,6 kg  
2 x table leg 6,2 kg  
steel, powder-coated  
profile 40 x 40 mm, with height  
compensation

### 4 x Castor

diameter = 65 mm  
weight: 0,5 kg

### Height adjustable:

775 mm (lowest height)  
855, 935, 1015 mm

### Table-top (VE-14016)

compact laminate 10 mm,  
weight: 8,8 kg

### Alternative:

### Table-top

safety glass 10 mm  
weight: 15 kg

height can  
be adjusted  
(77,5-101,5 cm)



### MATERIAL+COLOR

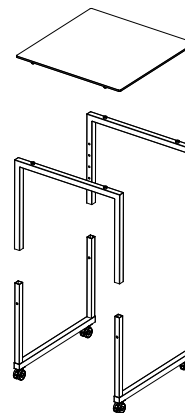
#### basic

base: 100, 101  
table-top: 300, 465, 466

#### option

all available colors in chapter  
MATERIAL+COLOR

assembly of individual parts without tools



### Item No.: 99114

Trolley for 4 x STAGE\_80\_XS (maximum load)



weight: 48 kg [empty] / 191,2 kg [full]

## STAGE\_50 | set of 4 tables

### Item No.: 51001

L: 1960 x 500 x 935 mm  
M: 1800 x 500 x 855 mm  
2 x XS: 800 x 500 x 775 mm  
total weight: 98,0 kg

### Base (inkl. castors)

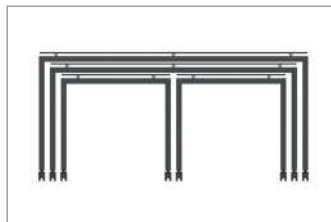
steel, powder-coated  
profile 40 x 40 mm, with height  
compensation

### Table-top

compact laminate 10 mm

### Height adjustable-system

L: 935, 1015, 1095, 1175 mm  
M: 855, 935, 1015, 1095 mm  
XS: 775, 855, 935, 1015 mm



connection between table-top and base



height can  
be adjusted  
(77,5-117,5 cm)



arrangement of the four buffet tables



### MATERIAL+COLOR

**basic**  
base: 100, 101  
table-top: 300, 465, 466

**option**  
all available colors in chapter  
MATERIAL+COLOR

### Item No.: 99106

Trolley for 1 x STAGE\_50 (set of 4 tables)



weight: 75 kg [empty] / 173,0 kg [full]

## STAGE\_50 | set of 3 tables

### Item No.: 51050

L: 1960 x 500 x 935 mm  
M: 1800 x 500 x 855 mm  
S\_164: 1640 x 500 x 775 mm  
total weight: 87,0 kg

### Base

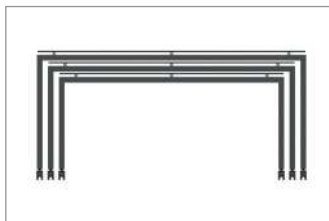
steel, powder-coated  
profile 40 x 40 mm, with height  
compensation

### Table-top

compact laminate 10 mm

### Height adjustable-system

L: 935, 1015, 1095, 1175 mm  
M: 855, 935, 1015, 1095 mm  
S\_164: 775, 855, 935, 1015 mm



connection between table-top and base



height can  
be adjusted  
(77,5-117,5 cm)



### MATERIAL+COLOR

#### basic

base: 100, 101  
table-top: 300, 465, 466

#### option

all available colors in chapter  
MATERIAL+COLOR



### Item No.: 99106

Trolley for 1 x STAGE\_50 (set of 3 tables)



weight: 75 kg [empty] / 162,0 kg [full]

## STAGE\_50\_L

### Item No.: 51002

[LxWxH]: 1960 x 500 x 935 mm  
total weight: 32,1 kg

### Base

2 x main frame 11,6 kg  
2 x table leg 5,0 kg  
steel, powder-coated  
profile 40 x 40 mm, with height  
compensation

### 4 x Castor

diameter = 65 mm  
weight: 0,5 kg

### Height adjustable:

935 mm (lowest height)  
1015, 1095, 1175 mm

### Table-top

compact laminate 10 mm,  
weight: 15,0 kg

### Alternative:

### Table-top

safety glass 10 mm  
weight: 24,0 kg

height can  
be adjusted  
(93,5-117,5 cm)



### MATERIAL+COLOR

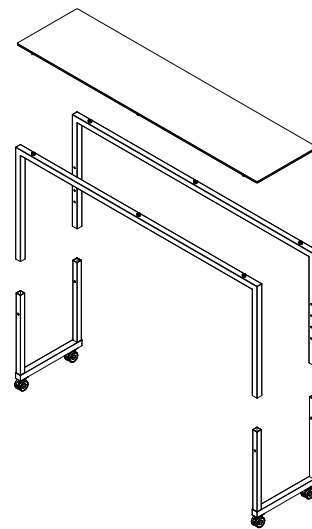
#### basic

base: 100, 101  
table-top: 300, 465, 466

#### option

all available colors in chapter  
MATERIAL+COLOR

assembly of individual parts without tools



### Item No.: 99109

Trolley for 4 x STAGE\_50\_L (maximum load)



weight: 75 kg [empty] / 203,4 kg [full]

## STAGE\_50\_M

### Item No.: 51003

[LxWxH]: 1800 x 500 x 855 mm  
total weight: 29,1 kg

### Base

2 x main frame 10,6 kg  
2 x table leg 5,0 kg  
steel, powder-coated  
profile 40 x 40 mm, with height  
compensation

height can  
be adjusted  
(85,5-109,5 cm)



### MATERIAL+COLOR

#### basic

base: 100, 101  
table-top: 300, 465, 466

#### option

all available colors in chapter  
MATERIAL+COLOR

### 4 x Castor

diameter = 65 mm  
weight: 0,5 kg

### Height adjustable:

855 mm (lowest height)  
935, 1015, 1095 mm

### Table-top

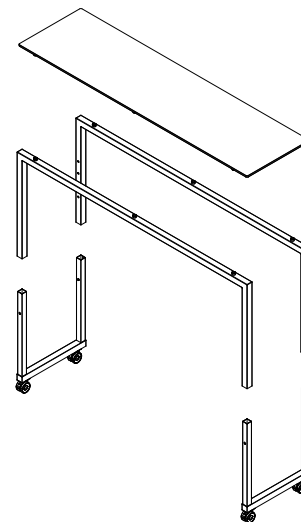
compact laminate 10 mm,  
weight: 13,0 kg

### Alternative:

#### Table-top

safety glass 10 mm  
weight: 22,0 kg

assembly of individual parts without tools



### Item No.: 99109

Trolley for 4 x STAGE\_80\_M (maximum load)



weight: 75 kg [empty] / 191,4 kg [full]

## STAGE\_50\_S\_164

### Item No.: 51017

[LxWxH]: 1640 x 500 x 775 mm  
total weight: 26,5 kg

### Base

2 x main frame 9,0 kg  
2 x table leg 5,0 kg  
steel, powder-coated  
profile 40 x 40 mm, with height  
compensation

height can  
be adjusted  
(77,5-101,5 cm)



### MATERIAL+COLOR

#### basic

base: 100, 101  
table-top: 300, 465, 466

#### option

all available colors in chapter  
MATERIAL+COLOR

### 4 x Castor

diameter = 65 mm  
weight: 0,5 kg

### Height adjustable:

775 mm (lowest height)  
855, 935, 1015 mm

### Table-top

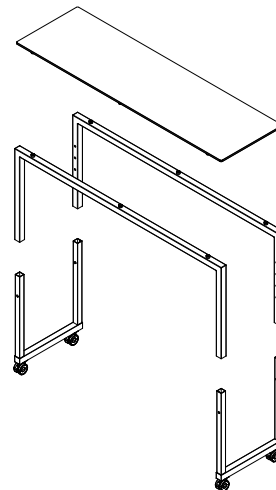
compact laminate 10 mm,  
weight: 12,0 kg

### Alternative:

#### Table-top

safety glass 10 mm  
weight: 20,0 kg

assembly of individual parts without tools



### Item No.: 99123

Trolley for 4 x STAGE\_50\_S\_164 (maximum load)



weight: 72 kg [empty] / 178,0 kg [full]

## STAGE\_50\_XS

### Item No.: 51004

[LxWxH]: 800 x 500 x 775 mm  
total weight: 17,7 kg

### Base

2 x main frame 6,6 kg  
2 x table leg 5,0 kg  
steel, powder-coated  
profile 40 x 40 mm, with height  
compensation

height can  
be adjusted  
(77,5-101,5 cm)



### 4 x Castor

diameter = 65 mm  
weight: 0,5 kg

### Height adjustable:

775 mm (lowest height)  
855, 935, 1015 mm

### Table-top

compact laminate 10 mm,  
weight: 5,6 kg

### Alternative:

### Table-top

safety glass 10 mm  
weight: 9,5 kg



### MATERIAL+COLOR

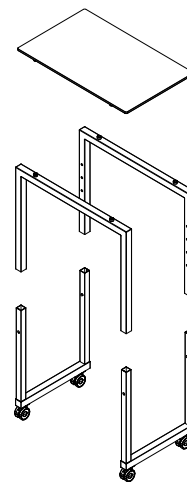
#### basic

base: 100, 101  
table-top: 300, 465, 466

#### option

all available colors in chapter  
MATERIAL+COLOR

assembly of individual parts without tools



### Item No.: 99114

Trolley for 4 x STAGE\_50\_XS (maximum load)



weight: 48 kg [empty] / 131,6 kg [full]

# System with two Table-Tops

STAGE\_80\_S table | STAGE\_50\_S\_table



## STAGE\_80\_S | system with two separate table-tops

### Item No.: 81039

[LxWxH]: 1600 x 800 x 775 mm  
total weight: 15,2 kg

### Base

2 x main frame 9,0 kg  
2 x table leg 6,2 kg  
steel, powder-coated  
profile 40 x 40 mm, with height  
compensation

### 4 x Castor

diameter = 65 mm  
weight: 0,5 kg

### Height adjustable:

775 mm (lowest height)  
855, 935, 1015 mm

### Table-top

compact laminate 10 mm,  
weight: 8,8 kg

### Alternative:

### Table-top

safety glass 10 mm  
weight: 15,0 kg

base\_STAGE\_80\_S / Item No.: 81039



table-top XS / Item No.: 14018



explosion view



height can  
be adjusted  
(77,5-101,5 cm)



### MATERIAL+COLOR

#### basic

base: 100, 101  
table-top: 300, 465, 466

#### option

all available colors in chapter  
MATERIAL+COLOR

**order separately:  
base and table-top**

## STAGE\_80\_S | system with two separate table-tops

SNEEZEGUARD\_STAGE\_XS\_DS  
Item No.: 66067

**>>> create two different  
functions on the same  
table base**

table-top-unit\_STAGE\_80\_XS\_ICE\_WELL  
Item No.: 11084

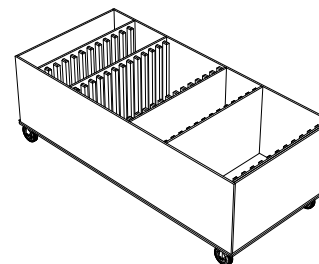
table-top-unit\_STAGE\_80\_XS\_INDUCTION\_VARIO\_1  
Item No.: 11165

available for 110 V and 230V

table base STAGE\_80\_S  
Item No.: 81039

Item No.: 99122

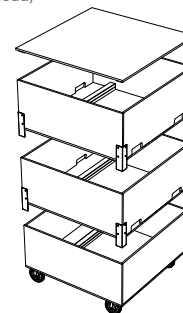
Trolley for 6 x STAGE\_80\_S base frames or 6 x STAGE\_50\_S base frames (maximum load)



weight: 97 kg [empty] / 193 kg [full]

Item No.: 99159

Trolley for 3 x table-top-unit\_STAGE\_80\_XS (maximum load)



weight: 69 kg [empty]

## STAGE\_80\_S | available table-top units

### table-top\_STAGE\_80\_XS

Item No.: 13006

table-top / glass, transparent or underside colored



### table-top\_STAGE\_80\_XS

Item No.: 14018

table-top / compact panel



### table-top-unit\_STAGE\_80\_XS\_COOL

Item No.: 11010

metal bowl / steel, powder-coated  
table-top / glass, underside colored



> more details see in chapter COOL

### table-top-unit\_STAGE\_80\_XS\_ICE\_WELL

Item No.: 11084

metal housing / steel, powder-coated  
table-top / compact panel



> more details see in chapter COOL

### table-top-unit\_STAGE\_80\_XS\_C+H

Item No.: 11014

table-top / compact panel  
device-top: glass, white or black colored  
metal parts: steel, powder-coated  
**only available for 230V**



> more details see in chapter COOL

### table-top-unit\_STAGE\_80\_XS\_BAIN-MARIE\_C+H

Item No.: 11028

metal housing / steel, powder-coated  
table-top / compact panel  
**only available for 230V**



> more details see in chapter COOL

## STAGE\_80\_S | available table-top units

**table-top\_unit\_STAGE\_80\_XS\_INDUCTION\_VARIO\_2**  
Item No.: 11164

metal parts: steel, powder-coated  
table-top / compact panel

available for 110V and 230V



> more details see page INDUCTION\_VARIO

**table-top\_unit\_STAGE\_80\_XS\_INDUCTION\_VARIO\_1**  
Item No.: 11165

metal parts: steel, powder-coated  
table-top / compact panel

available for 110V and 230V



> more details see page INDUCTION\_VARIO

**table-frame\_STAGE\_80\_ELEMENTS**  
Item No.: 20007199

metal frame / stainless steel (199)



> more details see chapter Modular Cooking System

**table-top-unit\_STAGE\_80\_XS\_CHAFING-DISH\_1**  
Item No.: 11057

table-top / compact panel



> more details see chapter CHAFING-DISH

**table-top-unit\_STAGE\_80\_XS\_CHAFING-DISH\_2**  
Item No.: 11054

table-top / compact panel



> more details see chapter CHAFING-DISH

## STAGE\_50\_S | table system + available table-top units

### Item No.: 51019

[LxWxH]: 1600 x 500 x 775 mm  
total weight: 15,0 kg

### Base

2 x main frame 9,0 kg  
2 x table leg 6,0 kg  
steel, powder-coated  
profile 40 x 40 mm, with height  
compensation

### 4 x Castor

diameter = 65 mm  
weight: 0,5 kg

### Height adjustable:

775 mm (lowest height)  
855, 935, 1015 mm

### Table-top

compact laminate 10 mm,  
weight: 5,6 kg

### Alternative:

#### Table-top

safety glass 10 mm,  
transparent or underside colored  
weight: 9,5 kg

### table-top\_STAGE\_50\_XS

#### Item No.: 13029

table-top / glass, transparent or underside colored



### table-top\_STAGE\_50\_XS

#### Item No.: 14023

table-top / compact panel



### table-top-unit\_STAGE\_50\_XS\_COOL

#### Item No.: 11041

table-top / glass, underside colored  
metal bowl / steel, powder-coated



height can  
be adjusted  
(77,5-101,5 cm)



order separately:  
**table-top**

**base**

### MATERIAL+COLOR

#### basic

base: 100, 101  
table-top: 300, 465, 466

#### option

all available colors in chapter  
MATERIAL+COLOR

## STAGE\_50\_S | available table-top units

### table-top-unit\_STAGE\_50\_XS\_ICE\_WELL

Item No.: 11085

metal housing / steel, powder-coated  
table-top / compact panel



> more details see in chapter COOL

### table-top-unit\_STAGE\_50\_XS\_CHAFING-DISH\_1

Item No.: 11055

table-top / compact panel



> more details see chapter CHAFING-DISH

### table-frame\_COMPACT\_STAGE\_50\_ELEMENTS

Item No.: 20020

metal frame / stainless steel (199)  
table-top / compact panel



> more details see chapter Modular Cooking System

### table-top-unit\_STAGE\_50\_XS\_BAIN-MARIE\_C+H

Item No.: 11029100402

metal housing / steel, apowder-coated  
table-top / compact panel

only available for 230V



> more details see in chapter COOL

# Action Stations

Warm Buffet | Cold Buffet | Modular Cooking and Buffet System



# INDUCTION\_VARIO

flexible induction system | suitable for every STAGE table

Multi-Zone-Induction | manufacturer Gastros  
A maximum of three pots can be used on an induction hob.



STAGE\_80\_M\_INDUCION\_VARIO\_4  
Item No.: 81099

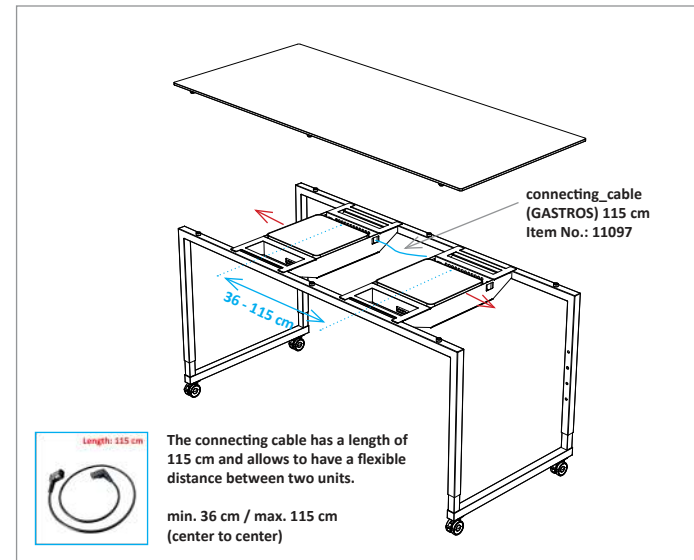
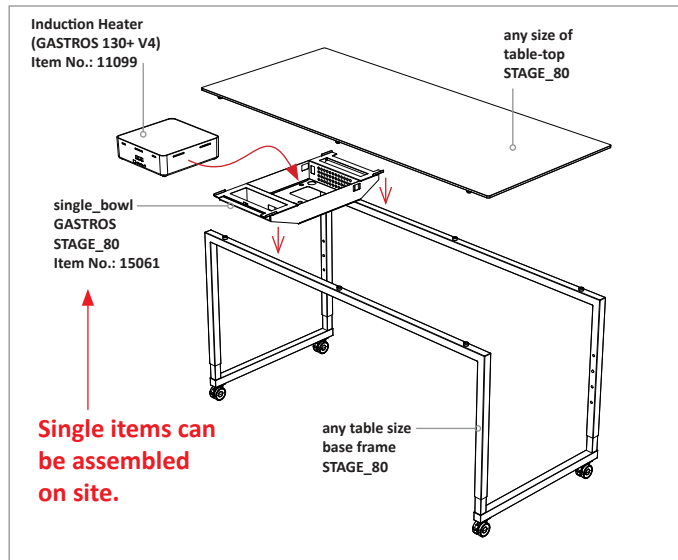
## Multi-Zone-Induction Table

## Free positioning of induction units

The new induction system VARIO for flexible and variable use of induction heat wherever you need it.

The system is available as single components or in a complete table.

A single metal housing with an induction unit inside can be placed under any STAGE\_80 table (table-top). Depending on the length of the table, you can flexibly determine the position of the unit and the distance to the next unit.

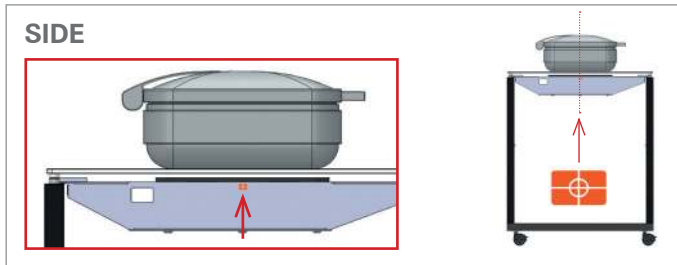
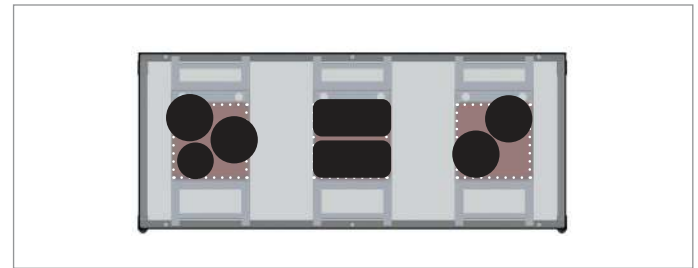
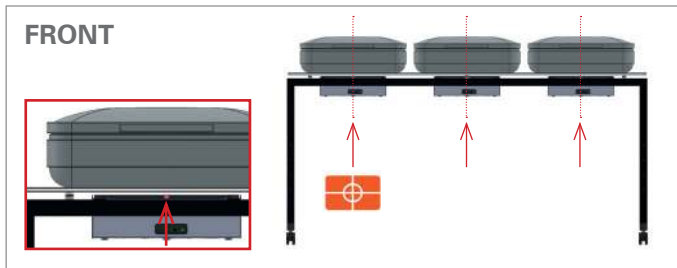


## Multizone induction | field size 35 x 35 cm

There is no surface marking on the table top. You can determine the central position above the induction unit using the position markings on the metal housing.

The area around the central position is 350 x 350 mm and also allows you to place several pots above each induction (multi-zone unit).

To protect the table surface from overheating, please use the silicone mats.



STAGE\_80\_L\_INDUCTION\_VARIO\_4  
Item No.: 81095



STAGE\_80\_L\_INDUCTION\_VARIO\_3  
Item No.: 81096



Table Size L (1960 x 800 x 935 mm)  
table heights = 935, 1015, 1095, 1175 mm

available for 110V and 230V

STAGE\_80\_L\_INDUCTION\_VARIO\_2  
Item No.: 81097



STAGE\_80\_L\_INDUCTION\_VARIO\_1  
Item No.: 81098



STAGE\_80\_M\_INDUCTION\_VARIO\_4  
Item No.: 81099



STAGE\_80\_M\_INDUCTION\_VARIO\_3  
Item No.: 81100



Table Size M (1800 x 800 x 935 mm)  
table heights = 855, 935, 1015, 1095 mm

available for 110V and 230V

STAGE\_80\_M\_INDUCTION\_VARIO\_2  
Item No.: 81101



STAGE\_80\_M\_INDUCTION\_VARIO\_1  
Item No.: 81102



STAGE\_80\_S\_164\_INDUCTION\_VARIO\_4  
Item No.: 81103



STAGE\_80\_S\_164\_INDUCTION\_VARIO\_3  
Item No.: 81104



Table Size S\_164 (1640 x 800 x 935 mm)  
table heights = 775, 855, 935, 1015 mm

available for 110V and 230V

STAGE\_80\_S\_164\_INDUCTION\_VARIO\_2  
Item No.: 81105



STAGE\_80\_S\_164\_INDUCTION\_VARIO\_1  
Item No.: 81106



**STAGE\_80\_XS\_INDUCTION\_VARIO\_2**  
Item No.: 81107



**STAGE\_80\_XS\_INDUCTION\_VARIO\_1**  
Item No.: 81108



**Table Size XS (800 x 800 x 935 mm)  
table heights = 775, 855, 935, 1015 mm**

available for 110V and 230V



>>> suitable for **STAGE\_80\_XS** and **S**  
**table-top\_unit\_STAGE\_80\_XS\_INDUCTION\_VARIO\_2**  
Item No.: 11164



>>> suitable for **STAGE\_80\_XS** and **S**  
**table-top\_unit\_STAGE\_80\_XS\_INDUCTION\_VARIO\_1**  
Item No.: 11165

# INDUCTION\_VARIO

flexible induction system | suitable for every STAGE table

Single-Point-Induction | manufacturer Adventys  
Only one pot can be used at a time on an induction hob.



STAGE\_80\_M\_INDUCION\_VARIO\_3  
Item No.: 81157

## Single-Point-Induction Table

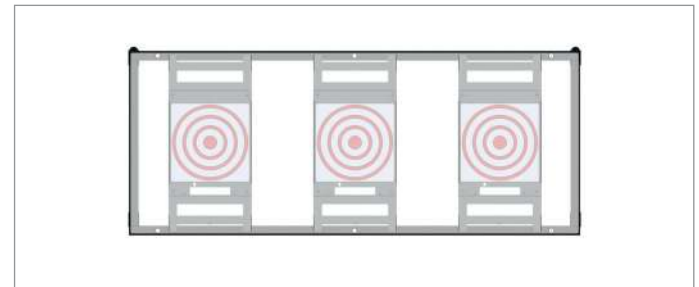
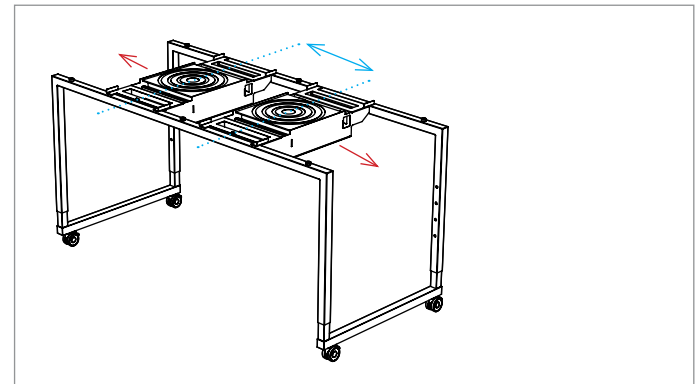
## Free positioning of induction units

The new induction system VARIO for flexible and variable use of induction heat wherever you need it.

The system is available as single components or in a complete table.



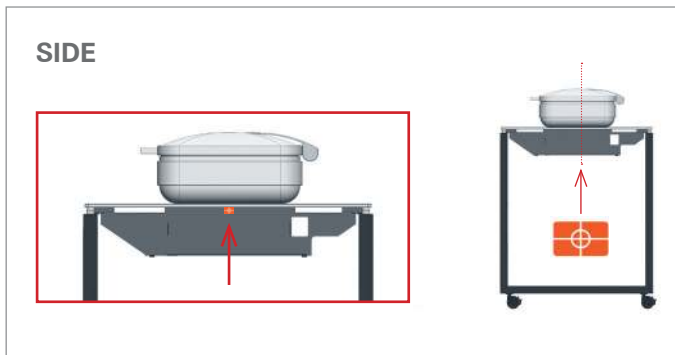
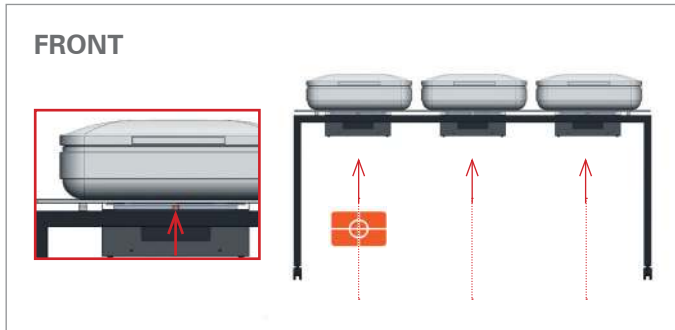
Depending on the length of the table, you can flexibly determine the position of the unit and the distance to the next unit.



## Single-Point-Induction | field size 35 x 35 cm

There is no surface marking on the table top. You can determine the central position above the induction unit using the position markings on the metal housing.

To prevent the table surface from overheating, please use the silicone mats provided. You will receive a set of mats in different sizes for each induction device. The mats will also prevent pots from being moved away from the induction area when food is being removed.



STAGE\_80\_L\_INDUCTION\_ADVENTYS\_VARIO\_4  
Item No.: 81052



STAGE\_80\_L\_INDUCTION\_ADVENTYS\_VARIO\_3  
Item No.: 81053



Table Size L (1960 x 800 x 935 mm)  
table heights = 935, 1015, 1095, 1175 mm

available for 230V

STAGE\_80\_L  
INDUCTION\_ADVENTYS\_VARIO\_2  
Item No.: 81054



STAGE\_80\_L  
INDUCTION\_ADVENTYS\_VARIO\_1  
Item No.: 81055



STAGE\_80\_M\_INDUCTION\_ADVENTYS\_VARIO\_4  
Item No.: 81056



STAGE\_80\_M\_INDUCTION\_ADVENTYS\_VARIO\_3  
Item No.: 81157



Table Size M (1800 x 800 x 935 mm)  
table heights = 855, 935, 1015, 1095 mm

available for 230V

STAGE\_80\_M  
INDUCTION\_ADVENTYS\_VARIO\_2  
Item No.: 81158



STAGE\_80\_M  
INDUCTION\_ADVENTYS\_ARIO\_1  
Item No.: 81159



STAGE\_80\_S\_164\_INDUCTION\_ADVENTYS\_VARIO\_4  
Item No.: 81160



STAGE\_80\_S\_164\_INDUCTION\_ADVENTYS\_VARIO\_3  
Item No.: 81161



Table Size S\_164 (1640 x 800 x 935 mm)  
table heights = 775, 855, 935, 1015 mm

available for 230V

STAGE\_80\_S\_164  
INDUCTION\_ADVENTYS\_VARIO\_2  
Item No.: 81162



STAGE\_80\_S\_164  
INDUCTION\_ADVENTYS\_VARIO\_1  
Item No.: 81163



STAGE\_80\_XS\_INDUCTION\_ADVENTYS\_VARIO\_2  
Item No.: 81164



STAGE\_80\_XS\_INDUCTION\_ADVENTYS\_VARIO\_1  
Item No.: 81165



Table Size XS (800 x 800 x 935 mm)  
table heights = 775, 855, 935, 1015 mm

available for 230V



>>> suitable for STAGE\_80\_XS and S  
table-top\_unit\_STAGE\_80\_XS\_INDUCTION\_ADVENTYS\_VARIO\_2  
Item No.: 11143



>>> suitable for STAGE\_80\_XS and S  
table-top\_unit\_STAGE\_80\_XS\_INDUCTION\_ADVENTYS\_VARIO\_1  
Item No.: 11144

# Chafing-Dish

electrical heated chafing-dish integrated in a STAGE table



**NEW**

table with  
integrated  
CHAFING  
Dishes

VENTA

## STAGE\_80\_M\_CHAFING-DISH\_4

### Item No.: 81078

[LxWxH]: 1800 x 800 x 855 mm  
weight: 56,3 kg

### Base

2 x main frame 10,6 kg  
2 x table leg 6,2 kg  
steel, powder-coated  
profile 40 x 40 mm, with height  
compensation

### 4 x Castor

diameter = 65 mm  
weight: 0,5 kg

### Height adjustable:

855 mm (lowest height)  
935, 1015, 1095 mm

### Table-Top

compact panel, 10 mm  
weight: 36,3 kg

### 2 x Magnetic cable duct

[LxWxH]: 770 x 35 x 21 mm  
weight: 0,965 kg  
steel, 1 mm, bended, powder-coated

### 4 x Magnetic holder

[LxWxH]: 173 x 66 x 23 mm  
weight: 0,186 kg  
steel, 1 mm, bended, powder-coated

combination of STAGE\_80\_M\_CHAFING-DISH\_4  
and STAGE\_80\_XS\_CHAFING-DISH\_2 + BLINDS



### delivery content:

including 4 x inlay panel to  
close the openings, without  
chafing-dish

perfect system  
to present warm food in  
integrated chafing-dish



### MATERIAL+COLOR

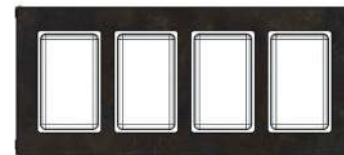
#### basic

base: 100, 101  
table-top: 465, 466

#### option

all available colors in chapter  
MATERIAL+COLOR

top view



### Item No.: 99144

Trolley for max. 2 x table 80\_M\_CHAFING-DISH



weight: 65 kg [empty] / 154 kg [full]

## STAGE\_80\_XS\_CHAFING-DISH\_2

### Item No.: 81080

[LxWxH]: 800 x 800 x 775 mm  
weight: 33,6 kg

### Base

2 x main frame 6,6 kg  
2 x table leg 6,2 kg  
steel, powder-coated  
profile 40 x 40 mm, with height  
compensation

### 4 x Castor

diameter = 65 mm  
weight: 0,5 kg

### Height adjustable:

775 mm (lowest height)  
855, 935, 1015 mm

### Table-Top

compact panel, 10 mm,  
decor: ceramic anthracite  
weight: 18,0 kg

### 1 x Magnetic cable duct

[LxWxH]: 770 x 35 x 21 mm  
weight: 0,965 kg  
steel, 1 mm, bended, powder-coated

### 2 x Magnetic holder

[LxWxH]: 173 x 66 x 23 mm  
weight: 0,186 kg  
steel, 1 mm, bended, powder-coated

### delivery content:

including 2 x inlay panel to  
close the openings, without  
chafing-dish



### MATERIAL+COLOR

#### basic

base: 100,101  
table-top: 401, 402

#### option

all available colors in chapter  
MATERIAL+COLOR

system suitable for  
chafing-dish units  
by WMF

combination of STAGE\_80\_M\_CHAFING-DISH\_4  
and STAGE\_80\_XS\_CHAFING-DISH\_2



top view



### Item No.: 99145

trolley for max. 2 x table 80\_XS\_CHAFING-DISH



weight: 50 kg [empty] / 104 kg [full]

## STAGE\_80\_M\_CHAFING-DISH\_3

### Item No.: 81079

[LxWxH]: 1800 x 800 x 855 mm  
weight: 56,1 kg

### Base

2 x main frame 10,6 kg  
2 x table leg 6,2 kg  
steel, powder-coated  
profile 40 x 40 mm, with height  
compensation

### 4 x Castor

diameter = 65 mm  
weight: 0,5 kg

### Height adjustable:

855 mm (lowest height)  
935, 1015, 1095 mm

### Table-Top

compact panel, 10 mm  
weight: 36,3 kg

### 2 x Magnetic cable duct

[LxWxH]: 770 x 35 x 21 mm  
weight: 0,965 kg  
steel, 1 mm, bended, powder-coated

### 3 x Magnetic holder

[LxWxH]: 173 x 66 x 23 mm  
weight: 0,186 kg  
steel, 1 mm, bended, powder-coated

### delivery content:

including 3 x inlay panel to  
close the openings, without  
chafing-dish

perfect system  
to present warm food in  
integrated chafing-dish



### MATERIAL+COLOR

#### basic

base: 100, 101  
table-top: 465, 466

#### option

all available colors in chapter  
MATERIAL+COLOR

### STAGE\_80\_M\_CHAFING-DISH\_3 + BLINDS



### top view



### Item No.: 99144

Trolley for max. 2 x table 80\_M\_CHAFING-DISH



weight: 65 kg [empty] / 157 kg [full]

## STAGE\_80\_XS\_CHAFING-DISH\_1

### Item No.: 81081

[LxWxH]: 800 x 800 x 775 mm  
weight: 32,5 kg

### Base

2 x main frame 6,6 kg  
2 x table leg 6,2 kg  
steel, powder-coated  
profile 40 x 40 mm, with height  
compensation

### 4 x Castor

diameter = 65 mm  
weight: 0,5 kg

### Height adjustable:

775 mm (lowest height)  
855, 935, 1015 mm

### Table-Top

compact panel, 10 mm  
weight: 18,0 kg

### 1 x Magnetic cable duct

[LxWxH]: 770 x 35 x 21 mm  
weight: 0,965 kg  
steel, 1 mm, bended, powder-coated

### 1 x Magnetic holder

[LxWxH]: 173 x 66 x 23 mm  
weight: 0,186 kg  
steel, 1 mm, bended, powder-coated

combination of STAGE\_80\_M\_CHAFING-DISH\_3  
and STAGE\_80\_XS\_CHAFING-DISH\_1



### delivery content:

including 1 x inlay panel to  
close the opening, without  
chafing-dish

system suitable for  
chafing-dish units  
by WMF



top view



### Item No.: 99145

Trolley for max. 2 x table 80\_XS\_CHAFING-DISH



weight: 50 kg [empty] / 104 kg [full]

### MATERIAL+COLOR

#### basic

base: 100,101  
table-top: 465, 466

#### option

all available colors in chapter  
MATERIAL+COLOR

## STAGE\_50\_M\_CHAFING-DISH\_2

### Item No.: 51042

[LxWxH]: 1800 x 500 x 855 mm  
weight: 39,4 kg

### Base

2 x main frame 10,6 kg  
2 x table leg 5,0 kg  
steel, powder-coated  
profile 40 x 40 mm, with height  
compensation

### 4 x Castor

diameter = 65 mm  
weight: 0,5 kg

### Height adjustable:

855 mm (lowest height)  
935, 1015, 1095 mm

### Table-Top

compact panel, 10 mm  
weight: 21,0 kg

### 1 x Magnetic cable duct

[LxWxH]: 770 x 35 x 21 mm  
weight: 0,965 kg  
steel, 1 mm, bended, powder-coated

### 2 x Magnetic holder

[LxWxH]: 173 x 66 x 23 mm  
weight: 0,186 kg  
steel, 1 mm, bended, powder-coated

combination of STAGE\_50\_M\_CHAFING-DISH\_2  
and STAGE\_50\_XS\_CHAFING-DISH\_1 + SHELF



### delivery content:

including 2 x inlay panel to  
close the openings, without  
chafing-dish

perfect system  
to present warm food in  
integrated chafing-dish



### MATERIAL+COLOR

#### basic

base: 100, 101  
table-top: 465, 466

#### option

all available colors in chapter  
MATERIAL+COLOR

top view



### Item No.: 99144

Trolley for max. 2 x table 50\_M\_CHAFING-DISH



weight: 65 kg [empty] / 154 kg [full]

## STAGE\_50\_XS\_CHAFING-DISH\_1

### Item No.: 51043

[LxWxH]: 800 x 500 x 775 mm  
weight: 26 kg

### Base

2 x main frame 6,6 kg  
2 x table leg 5,0 kg  
steel, powder-coated  
profile 40 x 40 mm, with height  
compensation

### 4 x Castor

diameter = 65 mm  
weight: 0,5 kg

### Height adjustable:

775 mm (lowest height)  
855, 935, 1015 mm

### Table-Top

compact panel, 10 mm  
weight: 12,7 kg

### 1 x Magnetic cable duct

[LxWxH]: 770 x 35 x 21 mm  
weight: 0,965 kg  
steel, 1 mm, bended, powder-coated

### 1 x Magnetic holder

[LxWxH]: 173 x 66 x 23 mm  
weight: 0,186 kg  
steel, 1 mm, bended, powder-coated

combination of STAGE\_50\_M\_CHAFING-DISH\_2  
and STAGE\_50\_XS\_CHAFING-DISH\_1



### delivery content:

including 1 x inlay panel to  
close the opening, without  
chafing-dish

system suitable for  
chafing-dish units  
by WMF



top view



### Item No.: 99145

Trolley for max. 2 x table 50\_XS\_CHAFING-DISH



weight: 50 kg [empty] / 124 kg [full]

### MATERIAL+COLOR

#### basic

base: 100,101  
table-top: 465, 466

#### option

all available colors in chapter  
MATERIAL+COLOR

## STAGE – CHAFING-DISH System

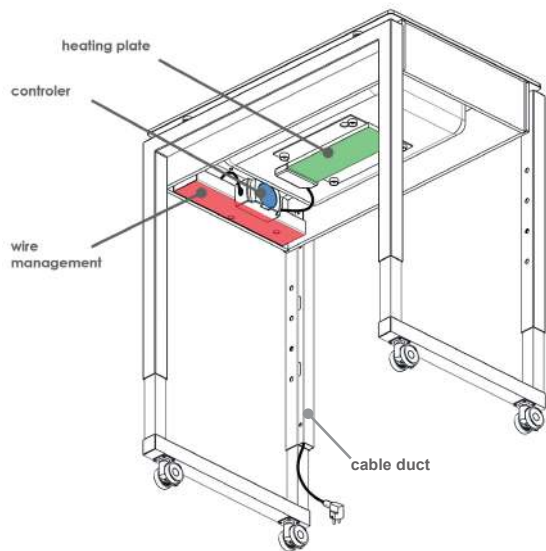
simple, functional, easy to handle

Buffet tables with openings to install CHAFING-DISH units, which are fully integrated in the table surface. VENTA recommends to use SPRING as we designed a special magnetic holder to place the remote control direct under the table.



## CHAFING-DISH – additional equipment

SPRING heating unit with 230V.



built-in chafing-dish  
ECO\_SPRING



Item No.: 12300

electric heating unit  
SPRING



Item No.: 12301

SPRING induction unit  
1000W round

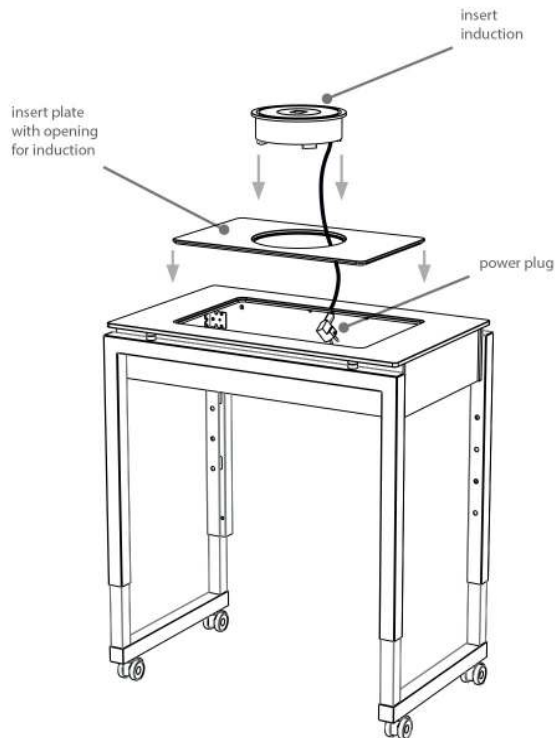


Item No.: 12303

inlay\_plate\_induction\_STA-  
GE\_CHAFING-DISH



Item No.: 14063



# Cold Buffet

cooling with electrical devices



Item No.: 81063



## BAIN-MARIE

The buffet table **STAGE\_80\_XS\_BAIN-MARIE\_COOL+HOT** is a stainless steel basin of size 2/1 GN which contains a COOL+HOT unit.

This technology was developed by Höller, one of a small number of companies worldwide who offer this technology in small and convenient units. This cold-hot plate enables you to keep dishes cool at temperatures as low as -5°C or to switch on the heating function. A hot plate keeps dishes warm. This has the added benefit that you do not have to use induction-compatible cookware, but can also use porcelain cookware, for example.

The buffet table has an area of 80 x 80 cm, while the integrated hob measures GN 2/1 (i.e. 66 x 53 cm). Power is supplied via a standard power cable (230 V). Heavy current is not required.

The equipment runs very quietly and energy-efficiently.



Item No.: 81063 (different types of use)

## STAGE\_80\_XS\_BAIN-MARIE\_COOL+HOT

### Item No.: 81063

[LxWxH]: 800 x 800 x 775 mm  
(adj. height: 855, 935, 1015 mm)  
weight: 71,6 kg

### Base

steel, powder-coated  
profile 40 x 40 mm, on wheels  
with height compensation,  
weight: 13,6 kg

### Table-Top

compact panel, 790 x 790 x 10 mm  
weight: 3,9 kg

**-5°C/ +140°C**

temperature range  
at ambient temperature of 24°C

only available for 230V



height can be  
adjusted  
(76 - 100 cm)

### MATERIAL+COLOR

#### basic

base: 100,101  
table-top: 465, 466

#### option

all available colors in chapter  
MATERIAL+COLOR

### Inlay

compact panel, 10 mm  
weight: 2,6 kg (each inlay)

### COOL+HOT-unit

size: 2/1 GN (660 x 530 mm)  
stainless steel (inside)  
metal housing (outside)  
powder-coated  
weight: 48,9 kg

**COOL or HOT**  
combined in one table

The HOT-mode keeps the  
food warm. **No cooking !**

suitable for 2/1 GN  
size: 650 x 507 mm  
depth: 105 mm



delivery content:  
including 2 x inlay panel  
to close the opening

multifunctional well Hot-Cold (2/1 GN)  
measures: 770 x 630 x 250 mm



features: multifunctional well Hot-Cold with two  
inlays, Bain-Marie: adjustable from 30°C up to  
110°C/static cooling: up to -5°C, max. ambient  
temperature 25°C, CW unit: GN 2/1, 230V, heat  
output: 1800 Watt, coolant: R600a, cooling  
output: 140 Watt



## STAGE\_50\_XS\_BAIN-MARIE\_COOL+HOT

### STAGE\_50\_XS\_BAIN-MARIE\_COOL+HOT

Item No.: 51025

[LxWxH]: 800 x 500 x 775 mm  
(ad. height: 855, 935, 1015 mm)  
weight: 52,6 kg

#### Base

steel, powder-coated  
profile 40 x 40 mm, on castors  
with height compensation  
weight: 12,6 kg

#### Table-Top

compact panel, 790 x 490 x 10 mm  
weight: 3,0 kg

**-5°C / +140°C**

temperature range  
at ambient temperature of 24°C

only available for 230V

height can be  
adjusted  
(76 - 100 cm)

#### MATERIAL+COLOR

##### basic

base: 100, 101  
table-top: 465, 466

##### option

all available colors in chapter  
MATERIAL+COLOR

#### Inlay

compact panel, 10 mm  
weight: 1,3 kg (each inlay)

#### COOL+HOT-unit

size: 1/1 GN (530 x 325 mm)  
stainless steel (inside)  
metal housing (outside)  
powder-coated  
weight: 34,4 kg

**COOL or HOT**  
combined in one table

The HOT-mode keeps the  
food warm. **No cooking !**

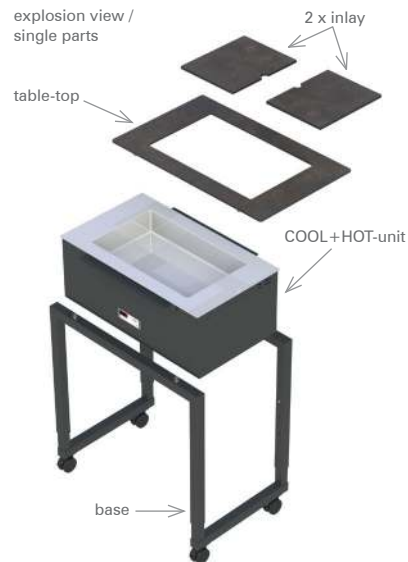
suitable for 1/1 GN  
size: 507 x 303 mm  
depth: 105 mm



multifunctional well Hot-Cold (1/1 GN)  
measures: 425 x 630 mm



explosion view /  
single parts



**delivery content:**  
including 2 x inlay panel  
to close the opening

Item No.: 81006



## COOL+HOT table

**Another technical gem is our STAGE\_80\_XS\_COOL+HOT buffet table with a glass surface, which houses a cold-hot plate.**

This technology was developed by Höller, one of a small number of companies worldwide who offer this technology in small and convenient units. This cold-hot plate enables you to keep dishes cool at temperatures as low as -5°C or to switch on the heating function. A hot plate keeps dishes warm. This has the added benefit that you do not have to use induction-compatible cookware, but can also use porcelain cookware, for example.

The buffet table has an area of 80 x 80 cm, while the integrated hob measures GN 2/1 (i.e. 66 x 53 cm). Power is supplied via a standard power cable (230 V). Heavy current is not required.

The equipment runs very quietly and energy-efficiently.

## STAGE\_80\_XS\_COOL+HOT

### Item No.: 81006

[LxWxH]: 800 x 800 x 775 mm  
(ad. height: 855, 935, 1015 mm)  
weight: 60 kg

### Base

steel, powder-coated  
profile 40 x 40 mm, on wheels  
with height compensation,  
weight: 13,6 kg

### Table-Top

compact plate 10 mm, 790 x 790 mm  
weight: 4 kg

only available for 230V

### Cover

metal box, 1,5 mm,  
powder-coated  
weight: 12 kg

### COOL+HOT-unit

size: 2/1 GN (660 x 530 mm)  
glass-top, black colored (307)  
or white colored (303)  
weight: 26 kg

# COOL or HOT

combined in one table

>>> ONLY available as  
STAGE\_80\_XS table.



height can be  
adjusted  
(76 - 100 cm)

### MATERIAL+COLOR

#### basic

base: 100,101  
table-top: 465, 466

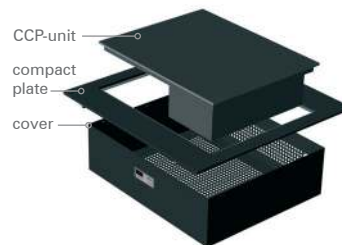
#### option

all available colors in chapter  
MATERIAL+COLOR

connection between table-top and base



explosion view/main parts



dismantling the cover for service



## Benefits

**-3°C / +120°C**  
temperature range

The HOT-mode keeps the food warm, **no cooking!**

SIZE: 2/1 GN  
660 x 530 mm

maximum load: 80 kg



CCP (comfort-combi-plate) 2/1 GN  
measures: 660 x 530 mm



technical details:  
CCP built-in system, 2/1 GN, size: 660 x 530 mm,  
height: 190 mm, power supply: 230V, heat output:  
1400W, coolant: R600a, cooling output: 140W



touch panel on the front of the table



# Cold Buffet

cooling with ice cubes and cooling plates



Item No.: 81007



## **COOL table**

**Our exclusive STAGE\_80\_XS\_COOL table with integrated cold plates works without the need for any power cables.**

You place this table anywhere in the room – no need for power sockets.

Before use, the cold plates must be stored in the freezer room of the hotel or event location for around twelve hours at -18°C. Then the COOL table can be used for approximately five hours.

The temperature of the table surface is approx. 5°C. The table is designed for indoor use with an ambient temperature of approx. 21°C.

Use at higher temperatures is not recommended, as the result will not be satisfactory.

**Do not install a sneezeguard on this table, as the table-top should be free to exchange the COOL\_PLATES.**

## STAGE\_80\_XS\_COOL

### Item No.: 81007

[LxWxH]: 800 x 800 x 775 mm  
weight: 48,6 kg

### Base

2 x main frame 6,6 kg  
2 x table leg 6,2 kg  
steel, powder-coated  
profile 40 x 40 mm, with height  
compensation

### Bowl\_80\_XS\_COOL

metal, powder-coated  
weight: 8,3 kg

### Table-top

safety glass 10 mm, 790 x 790 mm,  
underside black colored,  
weight: 15 kg

### COOL\_PLATE (4x)

350 x 350 x 26 mm  
polystyrene, color: black  
weight: 2,4 kg

### 4 x Castor

diameter = 65 mm  
weight: 0,5 kg

works only with  
glass surface

height can be  
adjusted  
(77,5 - 100,5 cm)

### MATERIAL+COLOR

#### basic

base: 100, 101  
table-top: 303, 307

#### option

all available colors in chapter  
MATERIAL+COLOR

**5h cooling**  
**5°-10°C**  
on the table surface  
without electricity

Preparation:  
Place the COOL-PLATE for 12  
hours inside a freezer at -18°C  
in vertical position.

Item No.: 66003 / COOL\_PLATE



explosion view



## STAGE\_50\_XS\_COOL

### Item No.: 51029

[LxWxH]: 800 x 500 x 775 mm  
weight: 31,4 kg

### Base

2 x main frame 6,6 kg  
2 x table leg 5,0 kg  
steel, powder-coated  
profile 40 x 40 mm, with height  
compensation

### Bowl\_50\_XS\_COOL

metal, powder-coated  
weight: 5,0 kg

### Table-top

safety glass 10 mm, 790 x 490 mm,  
underside black colored,  
weight: 9,5 kg

### COOL\_PLATE (2x)

350 x 350 x 26 mm  
polystyrene, color: black  
weight: 2,4 kg

### 4 x Castor

diameter = 65 mm  
weight: 0,5 kg

works only with  
glass surface

height can be  
adjusted  
(77,5 - 100,5 cm)



### MATERIAL+COLOR

#### basic

base: 100,101  
table-top: 303, 307

#### option

all available colors in chapter  
MATERIAL+COLOR

# 5h cooling 5°-10°C

on the table surface  
without electricity

Preparation:  
Place the COOL\_PLATE for 12  
hours inside a freezer at -18°C  
in vertical position.

Item No.: 99129 / Trolley\_COOL\_PLATES\_8



Item No.: 99132 / Trolley\_COOL\_PLATES\_4B



weight: 62,3 kg [empty] / 139,1 kg [full]

Item No.: 81092101401



## STAGE\_80\_XS\_ICE\_WELL

The ICE WELL with a depth of 20 cm is designed for cooling bottles. The entire well is filled with ice cubes. The well is equipped with a drainage tap and thus offers the possibility to drain the entire contents (melted ice = water) after use. A bucket can be placed under the table when the shut-off valve gets opened. In addition, a 1/1 GN grid basket can be used in the ice well. In this way the not yet melted ice can be easily removed. The ice well is available in two sizes (80 x 80 cm and 50 x 80 cm) for a buffet depth of 80 cm. The tub can be closed with the supplied insert plates (two pieces each) so that the table-top can be used as a shelf.



### Useful Equipment

The perforated 1/1 GN container helps to remove the ice cubes out of the ICE WELL.



Drain Tap

## STAGE\_80\_XS\_ICE\_WELL

### Item No.: 81092

[LxWxH]: 800 x 800 x 775 mm  
weight: 47,3 kg

### Base

2 x main frame 6,6 kg  
2 x table leg 6,2 kg  
steel, powder-coated  
profile 40 x 40 mm, with height  
compensation

### 4 x Castor

diameter = 65 mm  
weight: 0,5 kg

### Height adjustable / grid = 80 mm

775 mm (lowest height)  
855, 935, 1015 mm

### Table-top

compact laminate 10 mm  
weight: 4,2 kg

### Housing\_80\_XS\_ICE\_WELL

metal, powder-coated  
weight: 22,2 kg



inlay for reducing the ice well depth,  
2/1 GN, three heights (50, 100, 150  
mm) adjustable by using the  
distance block in different positions

table opening closed with lid



explosion view



height can be  
adjusted  
(77,5 - 101,5 cm)

### MATERIAL+COLOR

#### basic

base: 100, 101  
table-top: 465, 466

#### option

all available colors in chapter  
MATERIAL+COLOR

**delivery content:**  
including 2 x inlay panel  
to close the opening

## STAGE\_50\_XS\_ICE\_WELL

### Item No.: 51049

[LxWxH]: 800 x 500 x 775 mm  
weight: 35,0 kg

### Base

2 x main frame 6,6 kg  
2 x table leg 5,0 kg  
steel, powder-coated  
profile 40 x 40 mm, with height  
compensation

### 4 x Castor

diameter = 65 mm  
weight: 0,5 kg

### Height adjustable:

775 mm (lowest height)  
855, 935, 1015 mm

### Table-top

compact laminate 10 mm  
weight: 3,3 kg

### Housing\_50\_XS\_ICE\_WELL

metal, powder-coated  
weight: 14,1 kg



inlay for reducing the ice well depth,  
1/1 GN, three heights (50, 100, 150  
mm) adjustable by using the  
distance block in different positions

table opening closed with lid



explosion view



height can be  
adjusted  
(77,5 - 101,5 cm)

### MATERIAL+COLOR

#### basic

base: 100,101  
table-top: 465, 466

#### option

all available colors in chapter  
MATERIAL+COLOR

### delivery content:

including 2 x inlay panel  
to close the opening

## ACRYLIC\_DISPLAY\_HOOD\_2\_1\_GN

**Item No.:** 66108

[LxWxH]: 690 x 560 x 350 mm

weight: 12 kg

**Base**

material: acrylic glass,  
10 mm, transparent,  
8 x feet for a non-slip stand on the  
table surface



**MATERIAL+COLOR**

**basic**

plastic part: 500

**option**

no color options available

mounted on STAGE\_80\_XS\_ICE\_WELL (81092)



mounted on STAGE\_80\_XS\_COOL+HOT (81006)



## ACRYLIC\_ICE\_DISPLAY\_2\_1\_GN

**Item No.:** 66109

[LxWxH]: 760 x 640 x 210 mm  
weight: 6,1 kg

**Base**

material: acrylic glass, 10 mm,  
transparent



**MATERIAL+COLOR**

<b>basic</b>	<b>option</b>
plastic part: 500	no color options available

mounted on STAGE\_80\_XS\_ICE\_WELL (81092)



mounted on STAGE\_80\_XS\_BAIN-MARIE\_C+H (81063)



# ELEMENTS

modular cooking and buffet system | AIRMOBIL – mobile exhaust

only available for 230V



  
ELEMENTS®



## Modular Cooking System

The latest addition to our buffet tables now concerns live cooking/front cooking, the experience of cooking and serving in front of the guests, so that every event becomes a highlight. The top priority in the development was that VENTA customers can use their already purchased tables for the live cooking stations. Furthermore, the flexibility and mobility of the familiar systems was to be increased. True to the motto “everybody can be bigger” we chose the smallest of the four buffet tables from our Stage Buffet System as the output of the latest development. The smallest square buffet table STAGE 80 XS with the dimensions 80 x 80 cm, which is available twice in a STAGE 80 buffet set, was thus the basis for the new VENTA Elements, our modular system for modern and contemporary live cooking / front cooking, which meets all the requirements of the most varied F & B concepts in countries all over the world.

Instead of the glass or compact table-top, a square ELEMENTS table frame made of stainless steel is now placed on the existing table frame. The square dimension has the advantage that the table frame can be used both lengthwise and crosswise, so that all available thermal equipment and inserts can be inserted into the Elements table frame not only lengthwise but also crosswise and can be used in different ways in daily use. In order to be able to use our Elements live cooking system/front cooking system indoors, a mobile extraction unit had to be developed and designed especially for table size XS, which fully meets today’s requirements for odourless cooking in closed rooms. With its external dimensions of 80 x 30 cm, our Airmobil can be placed precisely (tailor-made) to the right, left or in front of a STAGE 80 XS ELEMENTS live cooking table and can thus be adapted to the daily changing requirements in the areas of construction and concept of a flexible and modular live cooking station.

homepage: <https://ventadesign.com/elements-live-cooking-system/#>

catalogue: <https://ventadesign.com/info/ventadesign-elements-presentation.pdf>



## STAGE\_80\_S\_ELEMENTS\_4

### Item No.: 20101

[LxWxH]: 1600 x 800 x 935 mm  
total weight: 31,1 kg

### Base

2 x main frame 9,0 kg (15803)  
2 x table leg 6,2 kg (15805)  
steel, powder-coated  
profile 40 x 40 mm, with height  
compensation

height can  
be adjusted  
(77,5-101,5 cm)



4 x compartments  
can be filled with an  
individual selection  
of items, e.g. NEMCO  
COOK induction or  
insert plates

### MATERIAL+COLOR

#### basic

base: 100, 101  
metal parts: 199  
table-top: 465, 466

#### option

all available colors in chapter  
MATERIAL+COLOR

### 2 x Table frame ELEMENTS (20007)

[LxWxH]: 800 x 800 x 66 mm  
total weight: 2 x 7,7 kg

### 4 x Castor (11716)

diameter = 65 mm  
weight: 0,5 kg

### Item No.: 11765

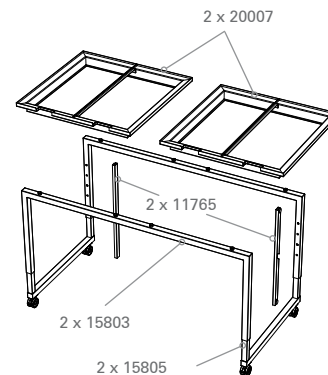
#### magnetic\_cable\_duct\_770mm

[LxWxH]: 770 x 35 x 21 mm  
weight: 1,0 kg  
material: steel, 1 mm, bended,  
powder-coated

#### Height adjustable:

775 mm (lowest height)  
855, 935, 1015 mm

exploded view / all individual parts



### Item No.: 99149

Trolley for 2 x STAGE\_80\_S\_ELEMENTS\_4 +  
additional equipment (maximum load)



weight: 165 kg [empty] / 227,2 kg [full]

## STAGE\_80\_S\_ELEMENTS\_2

### Item No.: 20102

[LxWxH]: 1600 x 800 x 935 mm  
total weight: 32,2 kg

### Base

2 x main frame 9,0 kg (VE-15803)  
2 x table leg 6,2 kg (VE-15805)  
steel, powder-coated  
profile 40 x 40 mm, with height  
compensation

### Table frame ELEMENTS (20007)

[LxWxH]: 800 x 800 x 66 mm  
total weight: 7,7 kg

### 4 x Castor (11716)

diameter = 65 mm  
weight: 0,5 kg

### Table-top (14018)

compact laminate 10 mm,  
ceramic anthracite (402)  
weight: 8,8 kg

### Item No.: 11765

#### 2 x magnetic\_cable\_duct\_770mm

[LxWxH]: 770 x 35 x 21 mm  
weight: 2 x 1,0 kg  
material: steel, 1 mm, bended, powder-  
coated anthracite (100)

height can  
be adjusted  
(77,5-101,5 cm)



2 x compartments  
can be filled with an  
individual selection  
of items, e.g. NEMCO  
COOK induction or  
insert plates

### MATERIAL+COLOR

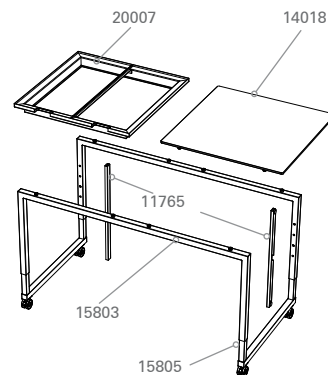
#### basic

base: 100, 101  
metal parts: 199  
table-top: 465, 466

#### option

all available colors in chapter  
MATERIAL+COLOR

exploded view / all individual parts



### Item No.: 99149

Trolley for 2 x STAGE\_80\_S\_ELEMENTS\_2 +  
additional equipment (maximum load)



weight: 165 kg [empty] / 227,2 kg [full]



**INDUCTION\_COOK\_ELEMENTS**  
Item No.: 20009



**TEPPAN\_GRILL\_ELEMENTS**  
Item No.: 20010

**PASTA\_SET**  
Item No.: 20022

**FRYING\_SET**  
Item No.: 20023



only available for 230V



**CHAFING\_DISH\_SET**  
Item No.: 20028



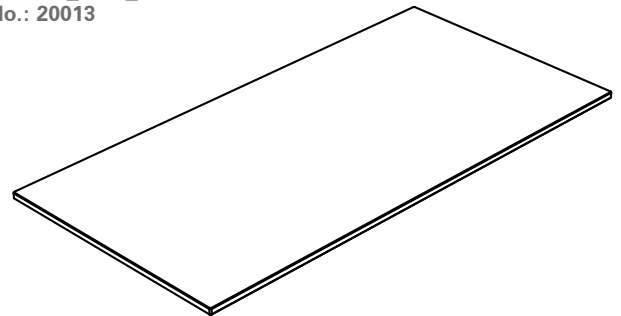
**SOUP\_SET**  
Item No.: 20026

**DIM\_SUM\_SET**  
Item No.: 20034



**COMPACT\_TOP\_ELEMENTS**  
Item No.: 20012 (20029)

**STAINLESS\_TOP\_ELEMENTS**  
Item No.: 20013



only available for 230V



**1\_1\_GN\_ingredients\_container**  
Item No.: 12353

**COMPACT\_TOP\_ELEMENTS\_ICE\_WELL**

Item No.: 20040/20041  
including 1 x inlay panel  
to close the ice well



**GN\_1\_1\_perforated**  
Item No.: 12309

**ICE\_WELL**  
Item No.: 20017



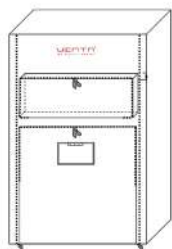
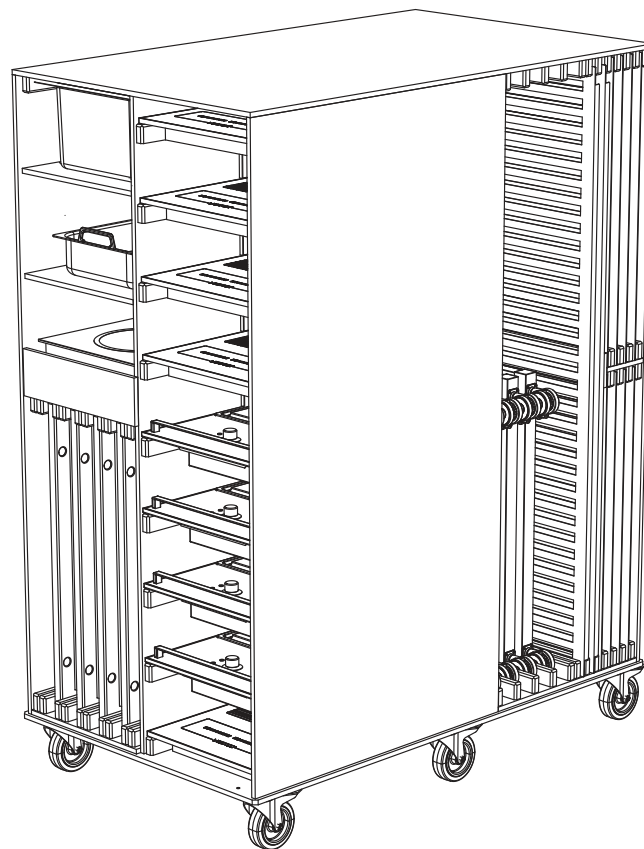
**CARVING\_SET**  
Item No.: 20024

only available for 230V



only available for 230V

**AIRMOBIL\_80**  
Item No.: 66039



**PROTECTIVE COVER**  
**AIRMOBIL\_80**  
Item No.: 78011



**TROLLEY**  
**AIRMOBIL\_80**  
Item No.: 99148

**TROLLEY\_STAGE\_ELEMENTS**  
Item No.: 99149

## alternative equipment for usage on INDUCTION\_COOK unit



**WOK**  
Item No.: 12339



more flexibility with flat bottom wok

**WOK**  
Item No.: 12340



more flexibility with flat bottom wok

**GRILL PLATE**  
Item No.: 12316



alternative product to teppan grill unit

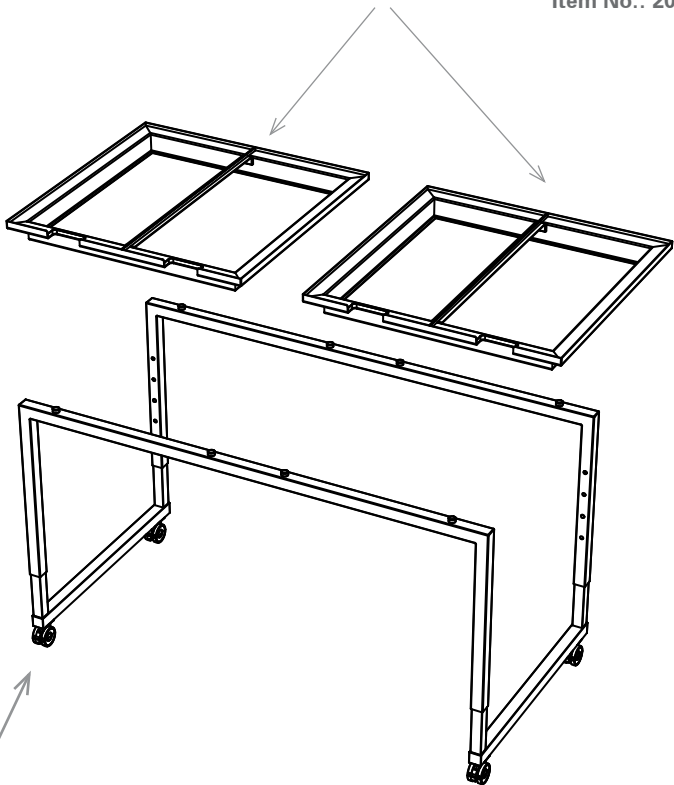


plugbar\_  
CEE\_400V\_3x16A\_3600W  
Item No.: 11162



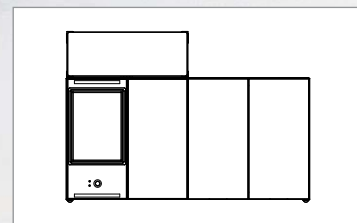
plugbar\_  
UK\_230V\_13A\_3200W  
Item No.: 11163

also available as single items:  
table frame\_STAGE\_80\_ELEMENTS  
Item No.: 20007



STAGE\_80\_S\_ELEMENTS  
Item No.: 20101

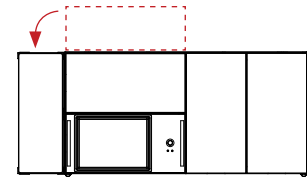
# ELEMENTS - Chefs Table





## AIRMOBIL / alternative position

It is also possible to place the AIRMOBIL on the side of the STAGE ELEMENTS TABLE in order to have more space at the front of the table. To do this, you must rotate the frame of the ELEMENTS TABLE by 90°.



SHELF\_47\_STAGE\_80\_XS  
Item No.: 80087

## ELEMENTS

### additional equipment

Rieber - termoport  
(item-no.: 8500412)

Rieber - undercarriage  
(item-no.: 88140106)



## ELEMENTS

### Important advices to select the correct equipment.

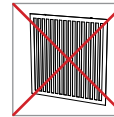
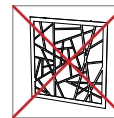
We recommend to mount always **BLINDS** on every **ELEMENTS** station (S and XS) to hide the installed equipment, the cables and any additional cooking utensils.

The **CARVING STATION** can only be equipped at the **FRONT** with compact laminate blinds. The decorative metal blinds will not fit at the front, as the mounted shield and the heat lamp do not allow the correct mounting.

The same situation is valid for an additional, separate mounting of a **STAY HOT** heat lamp at the front of a S or XS table.



No metal blinds!



## ELEMENTS

### Power Management

We recommend to discuss with us the electrical situation in your property and to create a plan for power cable management.

This will help you to select all necessary cables and power strips according to your local situation.



VENTA recommendation = 2 x plugbar 400V + 1 x plugbar 230V / alternative solution = 1 x plugbar 230V + 7 x extension cable 5m (use on individually fused 16A sockets)

# Buffet Accessories

Blind | Shelf | Heat Bridge | Sneeze Guard | Front Shield | Etagere | Plate Warmer



## FRONTBLIND\_STAGE\_BAMBOO\_COV.

### FRONTBLIND\_STAGE\_L\_BAMBOO

Item No.: 38036

[LxWxH]: 1960 x 822 x 17 mm

weight: 9,2 kg

### FRONTBLIND\_STAGE\_M\_BAMBOO

Item No.: 38037

[LxWxH]: 1800 x 822 x 17 mm

weight: 8,3 kg

### FRONTBLIND\_STAGE\_S\_164\_BAMBOO

Item No.: 38038

[LxWxH]: 1640 x 822 x 17 mm

weight: 7,8 kg

### FRONTBLIND\_STAGE\_S\_BAMBOO

Item No.: 38039

[LxWxH]: 1600 x 822 x 17 mm

weight: 7,7 kg

### FRONTBLIND\_STAGE\_XS\_BAMBOO

Item No.: 38040

[LxWxH]: 800 x 822 x 17 mm

weight: 4,2 kg

**suitable for all STAGE tables  
buffet height = 93,5 cm**

**FRONTBLINDS/available in five  
sizes/suitable for L, M, S\_164, S  
and XS length**



### MATERIAL+COLOR

#### basic

base: 100, 101

cover: 620, 621, 623, 624

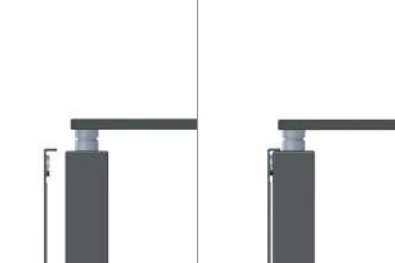
#### option

all available colors in chapter

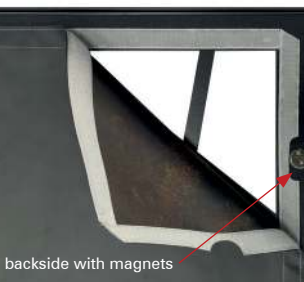
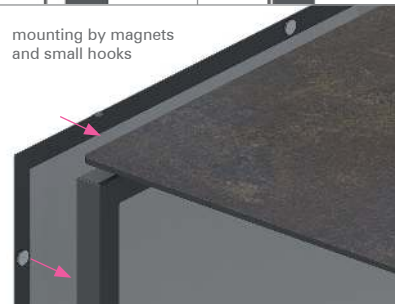
MATERIAL+COLOR

side view 1

side view 2



mounting by magnets  
and small hooks



backside with magnets

## SIDEBLIND\_STAGE\_BAMBOO\_COV.

### SIDEBLIND\_STAGE\_80\_BAMBOO

Item No.: 38041

[LxWxH]: 800 x 822 x 17 mm

weight: 4,1 kg

### SIDEBLIND\_STAGE\_50\_BAMBOO

Item No.: 38042

[LxWxH]: 500 x 822 x 17 mm

weight: 2,8 kg

**suitable for all STAGE tables  
buffet height = 93,5 cm**

**SIDEBLINDS/available  
in two sizes for 80 and  
50 cm buffet depth**



### MATERIAL+COLOR

#### basic

base: 100,101

cover: 620, 621, 623, 624

#### option

all available colors in chapter

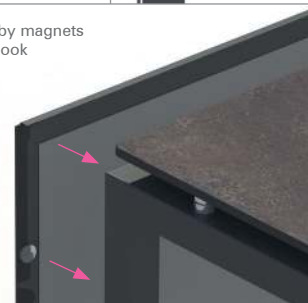
MATERIAL+COLOR

side view 1

side view 2



mounting by magnets  
and long hook



## FRONTBLIND\_STAGE\_LEAF\_COV.

### FRONTBLIND\_STAGE\_L\_LEAF

Item No.: 38022

[LxWxH]: 1960 x 822 x 17 mm

weight: 12,3 kg

### FRONTBLIND\_STAGE\_M\_LEAF

Item No.: 38023

[LxWxH]: 1800 x 822 x 17 mm

weight: 11,4 kg

### FRONTBLIND\_STAGE\_S\_164\_LEAF

Item No.: 38024

[LxWxH]: 1640 x 822 x 17 mm

weight: 10,3 kg

### FRONTBLIND\_STAGE\_S\_LEAF

Item No.: 38025

[LxWxH]: 1600 x 822 x 17 mm

weight: 10,2 kg

### FRONTBLIND\_STAGE\_XS\_LEAF

Item No.: 38026

[LxWxH]: 800 x 822 x 17 mm

weight: 5,4 kg

**suitable for all STAGE tables  
buffet height = 93,5 cm**

**FRONTBLINDS/available in five  
sizes/suitable for L, M, S\_164, S  
and XS length**



### MATERIAL+COLOR

#### basic

base: 100, 101

cover: 620, 621, 623, 624

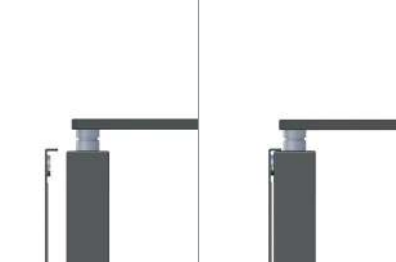
#### option

all available colors in chapter

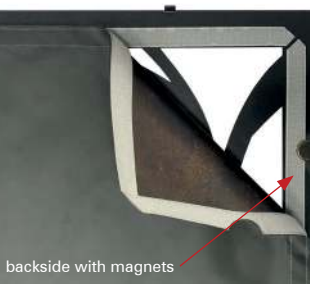
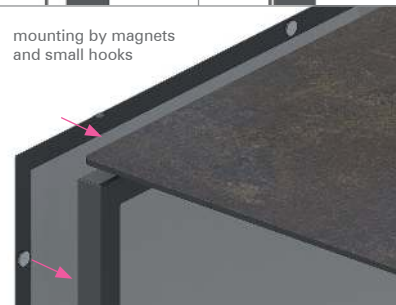
MATERIAL+COLOR

side view 1

side view 2



mounting by magnets  
and small hooks



backside with magnets

## SIDEBLIND\_STAGE\_LEAF\_COV.

### SIDEBLIND\_STAGE\_80\_LEAF

Item No.: 38027

[LxVxH]: 800 x 822 x 17 mm

weight: 5,3 kg

### SIDEBLIND\_STAGE\_50\_LEAF

Item No.: 38028

[LxVxH]: 500 x 822 x 17 mm

weight: 3,4 kg

**suitable for all STAGE tables  
buffet height = 93,5 cm**

**SIDEBLINDS/available  
in two sizes for 80 and  
50 cm buffet depth**



#### MATERIAL+COLOR

##### basic

base: 100,101

cover: 620, 621, 623, 624

##### option

all available colors in chapter

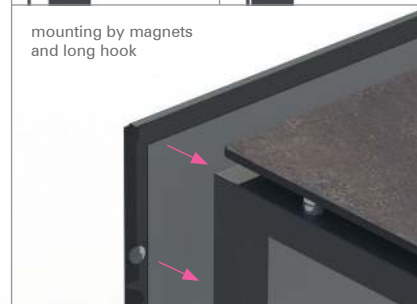
MATERIAL+COLOR

side view 1

side view 2



mounting by magnets  
and long hook



## FRONTBLIND\_STAGE\_STRIPES\_COV.

### FRONTBLIND\_STAGE\_L\_STRIPES

Item No.: 38062

[LxWxH]: 1960 x 822 x 17 mm

weight: 14,0 kg

### FRONTBLIND\_STAGE\_M\_STRIPES

Item No.: 38063

[LxWxH]: 1800 x 822 x 17 mm

weight: 12,6 kg

### FRONTBLIND\_STAGE\_S\_164\_STRIPES

Item No.: 38064

[LxWxH]: 1640 x 822 x 17 mm

weight: 11,4 kg

### FRONTBLIND\_STAGE\_S\_STRIPES

Item No.: 38065

[LxWxH]: 1600 x 822 x 17 mm

weight: 11,3 kg

### FRONTBLIND\_STAGE\_XS\_STRIPES

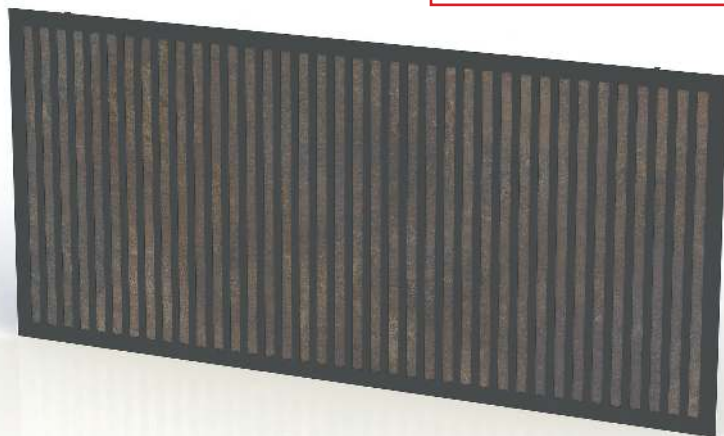
Item No.: 38066

[LxWxH]: 800 x 822 x 17 mm

weight: 5,8 kg

**suitable for all STAGE tables  
buffet height = 93,5 cm**

**FRONTBLINDS/available in five  
sizes/suitable for L, M, S\_164, S  
and XS length**



### MATERIAL+COLOR

#### basic

base: 100, 101

cover: 620, 621, 623, 624

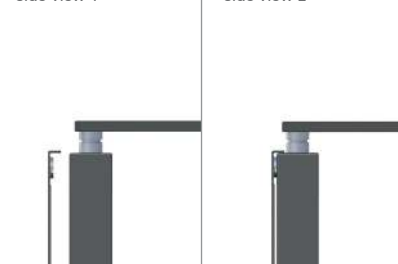
#### option

all available colors in chapter

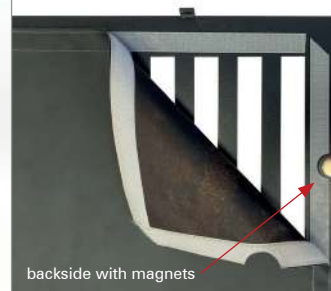
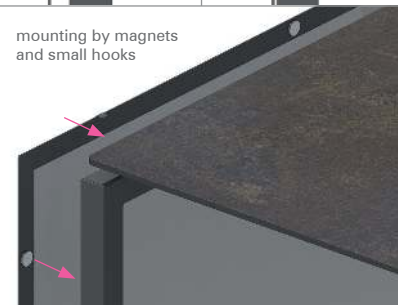
MATERIAL+COLOR

side view 1

side view 2



mounting by magnets  
and small hooks



backside with magnets

## SIDEBLIND\_STAGE\_STRIPES\_COV.

### SIDEBLIND\_STAGE\_80\_STRIPES

Item No.: 38067

[LxWxH]: 800 x 822 x 17 mm

weight: 5,8 7g

### SIDEBLIND\_STAGE\_50\_STRIPES

Item No.: 38068

[LxWxH]: 500 x 822 x 17 mm

weight: 3,8 kg

**suitable for all STAGE tables  
buffet height = 93,5 cm**

**SIDEBLINDS/available  
in two sizes for 80 and  
50 cm buffet depth**



### MATERIAL+COLOR

#### basic

base: 100,101

cover: 620, 621, 623, 624

#### option

all available colors in chapter

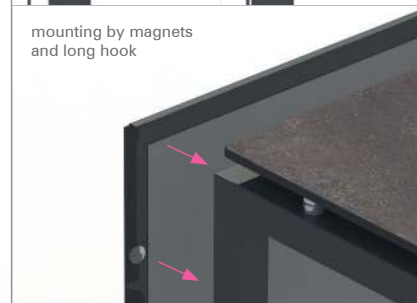
MATERIAL+COLOR

side view 1

side view 2



mounting by magnets  
and long hook



## FRONTBLIND\_STAGE

### FRONTBLIND\_STAGE\_L

Item No.: 38043

[LxWxH]: 1960 x 822 x 17 mm

weight: 6,5 kg

### FRONTBLIND\_STAGE\_M

Item No.: 38044

[LxWxH]: 1800 x 822 x 17 mm

weight: 6,0 kg

### FRONTBLIND\_STAGE\_S\_164

Item No.: 38045

[LxWxH]: 1640 x 822 x 17 mm

weight: 5,5 kg

### FRONTBLIND\_STAGE\_S

Item No.: 38046

[LxWxH]: 1600 x 822 x 17 mm

weight: 5,3 kg

### FRONTBLIND\_STAGE\_XS

Item No.: 38047

[LxWxH]: 800 x 822 x 17 mm

weight: 2,7 kg

**suitable for all STAGE tables  
buffet height = 93,5 cm**

**FRONTBLINDS/available in five  
sizes/suitable for L, M, S\_164, S  
and XS length**



### MATERIAL+COLOR

#### basic

base: 100, 101

cover: 465, 466

#### option

all available colors in chapter

MATERIAL+COLOR

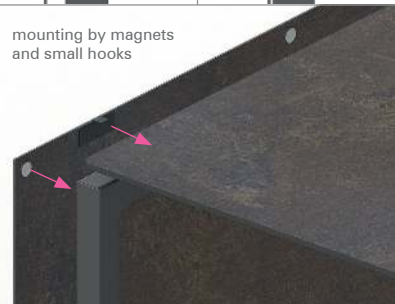
side view 1



side view 2



mounting by magnets  
and small hooks



small hook (glued on the  
compact laminate panel)

## SIDEBLIND\_STAGE

### SIDEBLIND\_STAGE\_80

Item No.: 38048

[LxWxH]: 800 x 822 x 17 mm

weight: 2,7 kg

### SIDEBLIND\_STAGE\_50

Item No.: 38049

[LxWxH]: 500 x 822 x 17 mm

weight: 1,7 kg

suitable for all STAGE tables  
buffet height = 93,5 cm

SIDEBLINDS/available  
in two sizes for 80 and  
50 cm buffet depth



### MATERIAL+COLOR

#### basic

base: 100,101

cover: 465, 466

#### option

all available colors in chapter

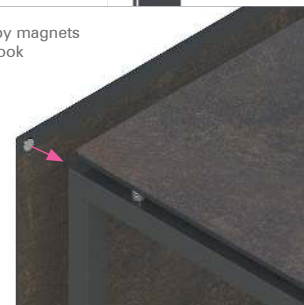
MATERIAL+COLOR

side view 1

side view 2



mounting by magnets  
and long hook



long hook (glued on the  
compact laminate panel)



## FRONTBLIND\_APERTURE\_STAGE

### FRONTBLIND\_APERTURE\_STAGE\_L

Item No.: 38057

[LxWxH]: 1960 x 822 x 27 mm

weight: 6,5 kg

### FRONTBLIND\_APERTURE\_STAGE\_M

Item No.: 38058

[LxWxH]: 1800 x 822 x 27 mm

weight: 6,0 kg

### FRONTBLIND\_APERTURE\_STAGE\_S\_164

Item No.: 38059

[LxWxH]: 1640 x 822 x 27 mm

weight: 5,5 kg

### FRONTBLIND\_APERTURE\_STAGE\_S

Item No.: 38060

[LxWxH]: 1600 x 822 x 27 mm

weight: 5,3 kg

### FRONTBLIND\_APERTURE\_STAGE\_XS

Item No.: 38061

[LxWxH]: 800 x 822 x 27 mm

weight: 2,7 kg

**suitable for all STAGE tables  
buffet height = 93,5 cm**

**FRONTBLINDS/available in five  
sizes/suitable for L, M, S\_164, S  
and XS length**



### MATERIAL+COLOR

#### basic

base: 100,101

cover: 465, 466

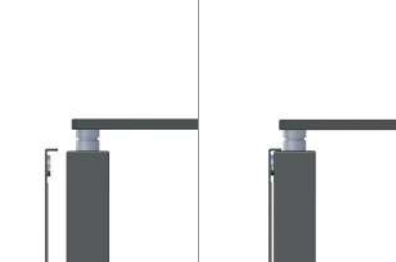
#### option

all available colors in chapter

MATERIAL+COLOR

side view 1

side view 2



mounting by magnets  
and small hooks



small hook (glued on the  
compact laminate panel)

## SHELF\_47\_STAGE\_80

### SHELF\_47\_STAGE\_80\_L

Item No.: 80083

[LxWxH]: 1900 x 728 x 473 mm

weight: 23,6 kg

### SHELF\_47\_STAGE\_80\_M

Item No.: 80084

[LxWxH]: 1740 x 728 x 473 mm

weight: 22,9 kg

### SHELF\_47\_STAGE\_80\_S\_164

Item No.: 80085

[LxWxH]: 1580 x 728 x 473 mm

weight: 21,3 kg

### SHELF\_47\_STAGE\_80\_S

Item No.: 80086

[LxWxH]: 1540 x 728 x 473 mm

weight: 22,4 kg

### SHELF\_47\_STAGE\_80\_XS

Item No.: 80087

[LxWxH]: 740 x 728 x 473 mm

weight: 10,6 kg

opening = 31 cm with APERTURE



**FRONTBLIND APERTURE  
requires SHELF\_47**

height = 47 cm

depth = 80 cm

### MATERIAL+COLOR

#### basic

base: 100, 101

shelf: 465, 466

#### option

all available colors in chapter

MATERIAL+COLOR

3 x U-Bolts (size: L / M / S\_164)



useable height = 41 cm

4 x U-Bolts (size: S)



useable height = 41 cm

2 x U-Bolts (size: XS)



useable height = 41 cm

## SHELF\_47\_STAGE\_50

### SHELF\_47\_STAGE\_50\_L

Item No.: 50044

[LxWxH]: 1900 x 428 x 473 mm

weight: 14,2 kg

### SHELF\_47\_STAGE\_50\_M

Item No.: 50045

[LxWxH]: 1740 x 428 x 473 mm

weight: 13,9 kg

### SHELF\_47\_STAGE\_50\_S\_164

Item No.: 50046

[LxWxH]: 1580 x 428 x 473 mm

weight: 13,3 kg

### SHELF\_47\_STAGE\_50\_S

Item No.: 50047

[LxWxH]: 1540 x 428 x 473 mm

weight: 14,4 kg

### SHELF\_47\_STAGE\_50\_XS

Item No.: 50048

[LxWxH]: 740 x 428 x 473 mm

weight: 6,9 kg

opening = 31 cm with APERTURE



**FRONTBLIND APERTURE  
requires SHELF\_47**

### MATERIAL+COLOR

#### basic

base: 100,101

shelf: 465, 466

#### option

all available colors in chapter

MATERIAL+COLOR

depth = 50 cm

3 x U-Bolts (size: L / M / S\_164)



useable height = 41 cm

4 x U-Bolts (size: S)



useable height = 41 cm

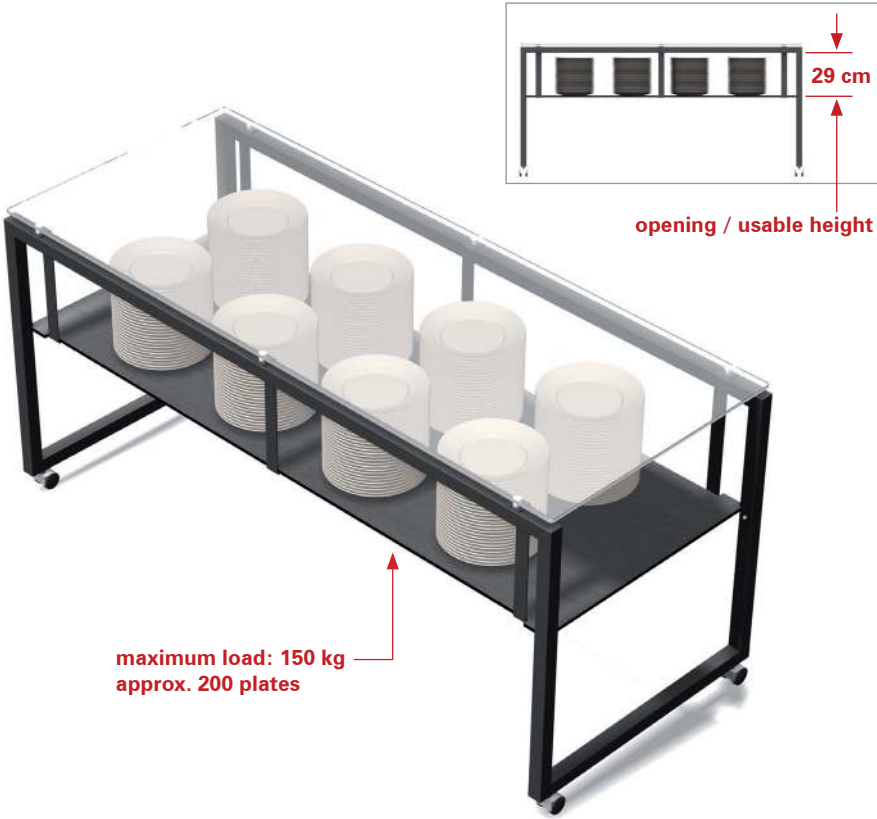
2 x U-Bolts (size: XS)



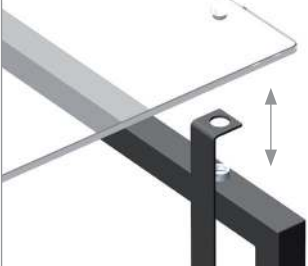
useable height = 41 cm



# SHELF\_STAGE



connection between table and U-Bolt



shelf for STAGE\_80/size: M



shelf for STAGE\_80/size: XS



## SHELF\_STAGE\_80

### SHELF\_STAGE\_80\_L

Item No.: 80010

[LxWxH]: 1900 x 728 x 353 mm

weight: 23,0 kg

### SHELF\_STAGE\_80\_M

Item No.: 80011

[LxWxH]: 1740 x 728 x 353 mm

weight: 22,3 kg

### SHELF\_STAGE\_80\_S\_164

Item No.: 80058

[LxWxH]: 1580 x 728 x 353 mm

weight: 20,7 kg

### SHELF\_STAGE\_80\_S

Item No.: 80038

[LxWxH]: 1540 x 728 x 353 mm

weight: 21,6 kg

### SHELF\_STAGE\_80\_XS

Item No.: 80012

[LxWxH]: 740 x 728 x 353 mm

weight: 10,2 kg

3 x U-Bolts (size: L / M / S\_164)



useable height = 29 cm

4 x U-Bolts (size: S)



useable height = 29 cm

2 x U-Bolts (size: XS)



useable height = 29 cm



### MATERIAL+COLOR

#### basic

base: 100, 101

shelf: 465, 466

#### option

all available colors in chapter

MATERIAL+COLOR

depth = 80 cm

## SHELF\_STAGE\_50

### SHELF\_STAGE\_50\_L

Item No.: 50005

[LxWxH]: 1900 x 428 x 353 mm

weight: 13,6 kg

### SHELF\_STAGE\_50\_M

Item No.: 50006

[LxWxH]: 1740 x 428 x 353 mm

weight: 13,3 kg

### SHELF\_STAGE\_50\_S\_164

Item No.: 50023

[LxWxH]: 1580 x 428 x 353 mm

weight: 12,7 kg

### SHELF\_STAGE\_50\_S

Item No.: 50021

[LxWxH]: 1540 x 428 x 353 mm

weight: 13,6 kg

### SHELF\_STAGE\_50\_XS

Item No.: 50007

[LxWxH]: 740 x 428 x 353 mm

weight: 6,5 kg



#### MATERIAL+COLOR

##### basic

base: 100,101

shelf: 465, 466

##### option

all available colors in chapter

MATERIAL+COLOR

depth = 50 cm

3 x U-Bolts (size: L / M / S\_164)



useable height = 29 cm

4 x U-Bolts (size: S)



useable height = 29 cm

2 x U-Bolts (size: XS)



useable height = 29 cm

## SHELF\_LOW\_STAGE\_80

### SHELF\_LOW\_STAGE\_80\_L

Item No.: 80068

[LxWxH]: 1950 x 740 x 50 mm

weight: 24,9 kg

### SHELF\_LOW\_STAGE\_80\_M

Item No.: 80069

[LxWxH]: 1790 x 740 x 50 mm

weight: 22,8 kg

### SHELF\_LOW\_STAGE\_80\_S\_164

Item No.: 80070

[LxWxH]: 1630 x 740 x 50 mm

weight: 21,0 kg

### SHELF\_LOW\_STAGE\_80\_S

Item No.: 80071

[LxWxH]: 1590 x 740 x 50 mm

weight: 20,4 kg

### SHELF\_LOW\_STAGE\_80\_XS

Item No.: 80064

[LxWxH]: 790 x 740 x 10 mm

weight: 8,3 kg



### MATERIAL+COLOR

#### basic

base: 100

shelf: 465, 466

#### option

all available colors in chapter

MATERIAL+COLOR

size: L / M / S\_164 / S

underside always with metal strut (top view)



size: L / M / S\_164 / S

underside always with metal strut (bottom view)



size: XS

underside always without metal strut (both sides look the same)



## SHELF\_LOW\_STAGE\_50

### SHELF\_LOW\_STAGE\_50\_L

Item No.: 50032

[LxWxH]: 1950 x 440 x 50 mm

weight: 15,0 kg

### SHELF\_LOW\_STAGE\_50\_M

Item No.: 50033

[LxWxH]: 1790 x 440 x 50 mm

weight: 14,1 kg

### SHELF\_LOW\_STAGE\_50\_S\_164

Item No.: 50034

[LxWxH]: 1630 x 440 x 50 mm

weight: 11,0 kg

### SHELF\_LOW\_STAGE\_50\_S

Item No.: 50035

[LxWxH]: 1590 x 440 x 50 mm

weight: 10,0 kg

### SHELF\_LOW\_STAGE\_50\_XS

Item No.: 50026

[LxWxH]: 790 x 440 x 10 mm

weight: 5,1 kg



### MATERIAL+COLOR

#### basic

base: 100

shelf: 465, 466

#### option

all available colors in chapter

MATERIAL+COLOR

size: L / M / S\_164 / S

underside always with metal strut (top view)



size: L / M / S\_164 / S

underside always with metal strut (bottom view)



size: XS

underside always without metal strut (both sides look the same)



# Heat Bridge

sneeze guard with heating and LED illumination

only available for 230V



# HEATBRIDGE\_BEER | complete solution with sneeze guard, heating and LED illumination

## Item No.: 66002

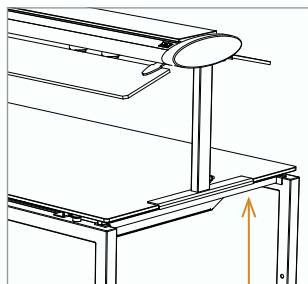
[LxWxH]: 1800 x 500 x 440 mm  
weight: 20 kg

## Base (feet)

steel, powder-coated  
profile 50 x 25 mm

## Heating element (infrared technic)

Beer (manufacturer)  
model: SOLARIS  
power: 5 x 300 W / 230V  
color/material: steel, powder-coated  
anthracite



special feet – perfect  
connection to the table

+ heavy load strut – additional item to  
stabilize the table-top (see page 222)

front view

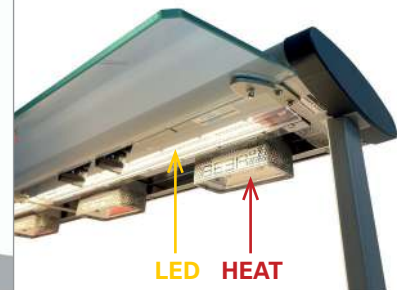


side view



**HEAT + LED**

only available for 230V



- > sneeze guard (available with one or two side protections)
- > length: 196 cm (STAGE\_L), 180 cm (STAGE\_M), 162 cm (STAGE\_S\_164 and STAGE\_S), 80 cm (STAGE\_XS)

## MATERIAL+COLOR

### basic

base: 100,101

### option

all available colors in chapter MATERIAL+COLOR



combination with STAGE table

## SNEEZEGUARD\_BEER | solution with sneeze guard and LED illumination (no heating)

**Item No.:** 66026

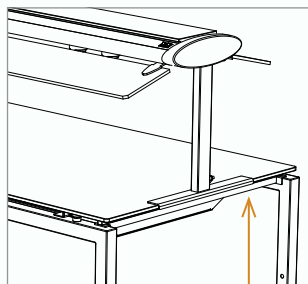
[LxWxH]: 1800 x 500 x 440 mm  
weight: 20 kg

**Base (feet)**

steel, powder-coated  
profile 50 x 25 mm

**LED illumination**

Beer (manufacturer)  
model: SOLARIS  
power: 230V



special feet – perfect  
connection to the table

+ heavy load strut – additional item to  
stabilize the table-top (see page 222)

front view



side view



**only LED**

only available for 230V



- > sneeze guard (available with one or two side protections)
- > length: 196 cm (STAGE\_L), 180 cm (STAGE\_M), 162 cm (STAGE\_S\_164 and STAGE\_S), 80 cm (STAGE\_XS)

**MATERIAL+COLOR**

**basic**

base: 100,101

**option**

all available colors in chapter MATERIAL+COLOR



combination with STAGE table

# Heat Bridge

useful items to complete your tables



# HEATBRIDGE\_BARTSCHER\_180

## Item No.: 66004

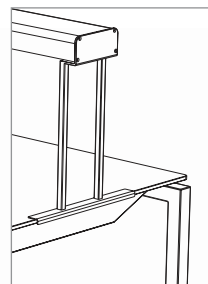
[LxWxH]: 1845 x 360 x 445 mm  
weight: 8,2 kg

## Base (feet)

steel, powder-coated  
profile 15 x 15 mm

## Heating element (infrared technic)

model: IHR 1730 / item-no.: 114006  
power: 1,73 kW, 230V, 50/60 Hz  
color/material: silver, satin aluminum



special feet – perfect connection to the table

front view

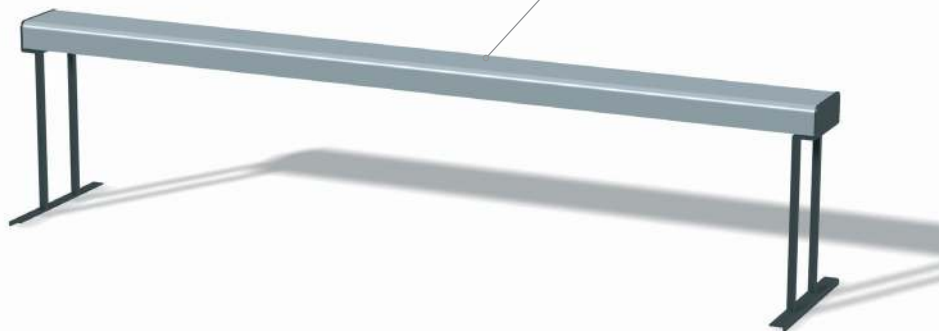


side view

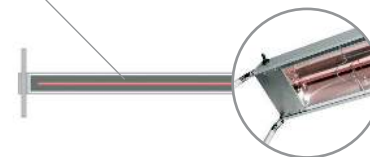


## additional item to keep the food warm

only available for 230V



underside view:  
infrared heat technic



## MATERIAL+COLOR

basic  
base: 100,101

option  
all available colors in chapter MATERIAL+COLOR



combination with STAGE table

# HEATBRIDGE\_BARTSCHER\_80

**Item No.:** 66032

[LxWxH]: 804 x 360 x 445 mm  
weight: 5,3 kg

**Base (feet)**

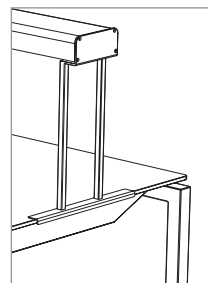
steel, powder-coated  
profile 15 x 15 mm

**Heating element (infrared technic)**

model: IHR 650 / item-no.: 114001  
power: 0,8 kW, 230V, 50/60 Hz  
color/material: silver, satin aluminum

**additional item to keep  
the food warm**

only available for 230V



special feet – perfect  
connection to the table

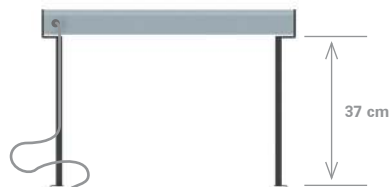
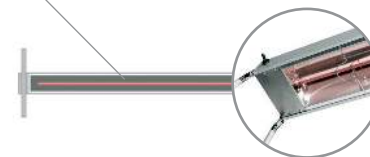
front view



side view



underside view:  
infrared heat technic



cable length:  
140 cm,  
only with EU-plug

## MATERIAL+COLOR

**basic**  
base: 100,101

**option**  
all available colors in chapter MATERIAL+COLOR

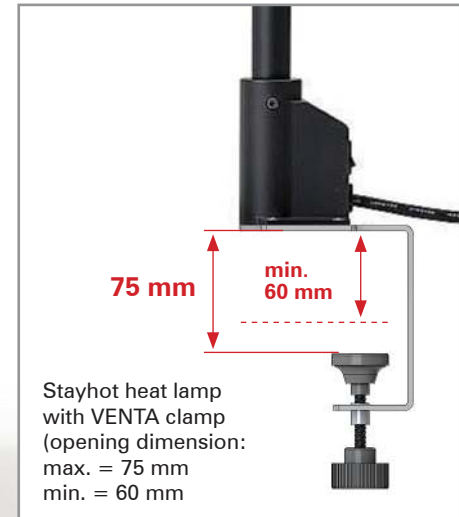
## HEAT\_LAMP\_STAYHOT

### Keep your buffet warm with heat from the top

The Stayhot heat lamp can be installed on every VENTA STAGE table (front-or backside) with a special clamp which is only available at VENTA. The regular Stayhot clamp does not fit onto the VENTA table!



Height: 635 mm  
Shade: H 218 / d = 180 mm  
Table Clamp: 95 x 60 x 78 mm  
Voltage/Power: 230 V / 250 W  
Heat Source: Philips infrared lamp 2700K



HEAT\_LAMP\_STAYHOT | color range

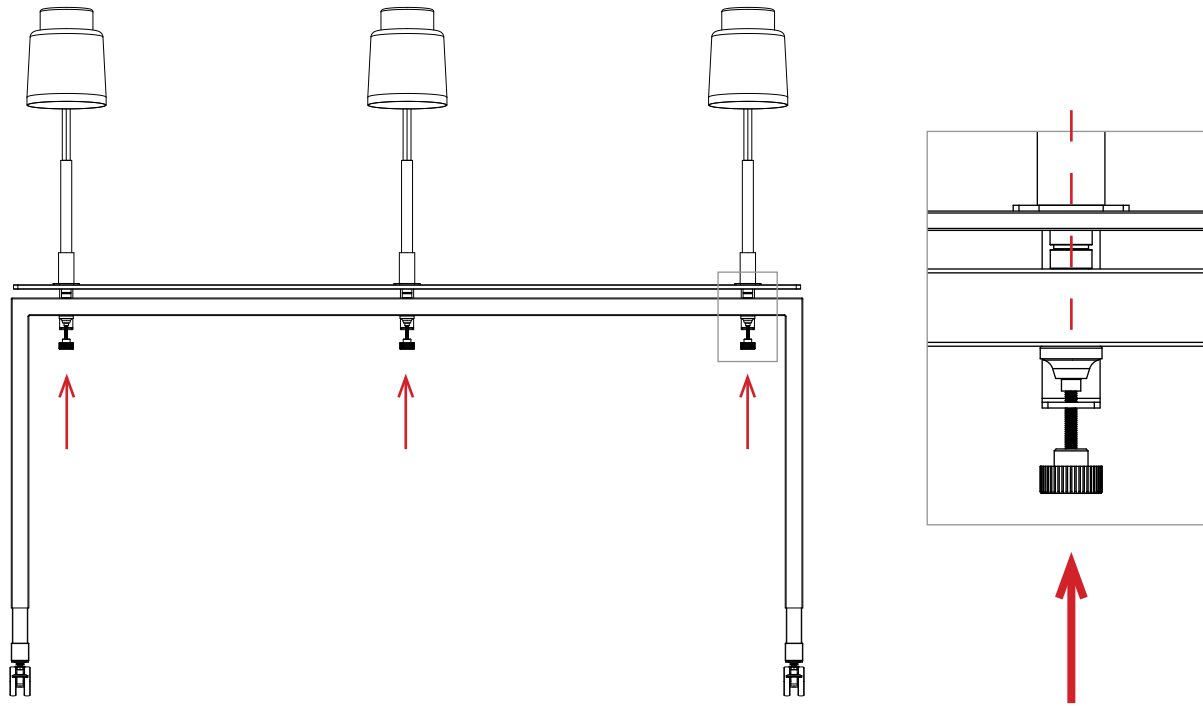


only available for 230V



## HEAT\_LAMP\_STAYHOT | placing + mounting on STAGE tables

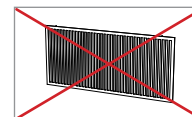
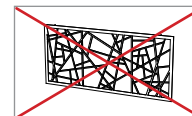
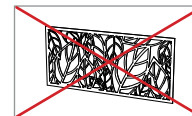
If you want to mount the STAYHOT lamps on a table with a compact laminate or glass top, you need to position the lamps over the metal connectors to achieve a perfect fixation.



Front mounting (guest side) of a STAYHOT lamp is also possible (placed at the connector position).  
Please notice: The BLIND is only implementable in material COMPACT LAMINATE, no metal blinds!

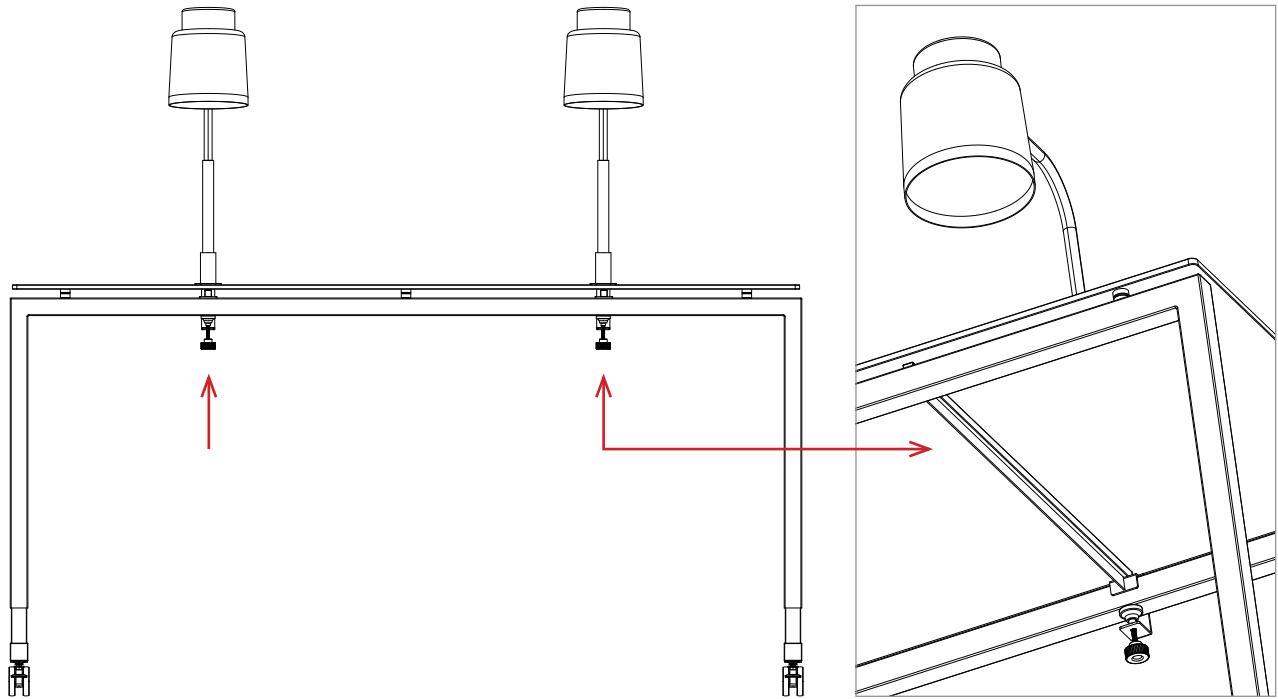


No metal blinds!



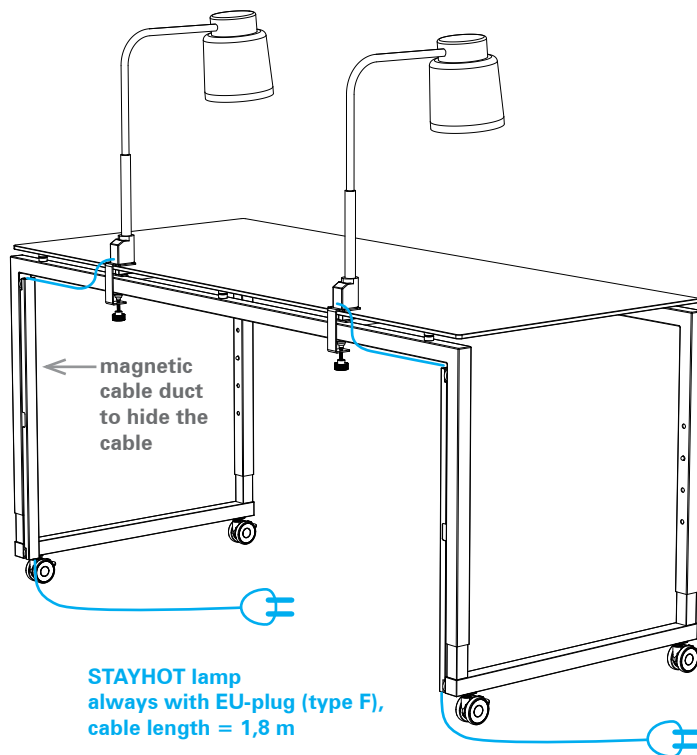
>>> various decors available

**Alternative positioning of STAYHOT lamps: Please use additional strut to stabilize the table-top.**



table, view from below

Depending on the number of STAYHOT lamps installed, please select the suitable extension cables, plugbars and cable ducts.



magnetic cable duct (details on page 224)  
available in length: 400 mm, 610 mm, 770 mm



extension cable (details on page 227)  
available with plug (type F, G, J, I, M)  
cable length = 5 m



magnetic plugbar (details on page 227)  
available with plug (type F, G, J, I, M)  
cable length = 5 m



# Sneeze Guard

one or double side



# SNEEZEGUARD

## Sneeze-guard suitable for all STAGE tables

The new sneeze-guard is available as one side or double side version. Protect your buffet and offers a second level for decoration items.

### Double Side:

L: 1960 x 654 x 385 mm (66059)  
M: 1800 x 654 x 385 mm (66061)  
S\_164: 1640 x 654 x 385 mm (66063)  
S: 1600 x 654 x 385 mm (66065)  
XS: 800 x 654 x 385 mm (66067)

### One Side:

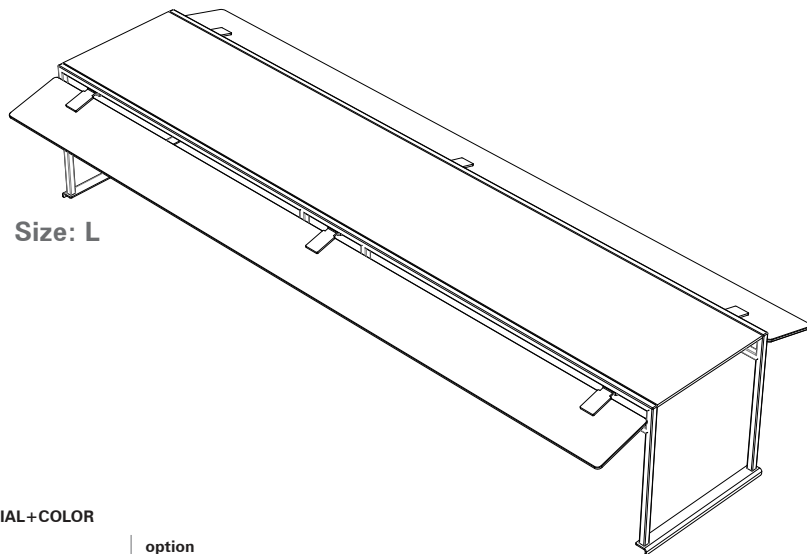
L: 1960 x 507 x 385 mm (66058)  
M: 1800 x 507 x 385 mm (66060)  
S\_164: 1640 x 507 x 385 mm (66062)  
S: 1600 x 507 x 385 mm (66064)  
XS: 800 x 507 x 385 mm (66066)

### Base

steel, powder-coated anthracite (100)  
profile 15 x 15 mm

### Top and Side

transparent, safety glass, 6 mm



Size: L

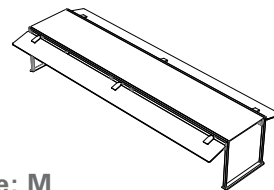
### MATERIAL+COLOR

#### basic

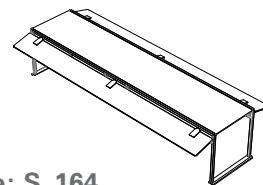
base: 100, 101  
glass top/side: 300

#### option

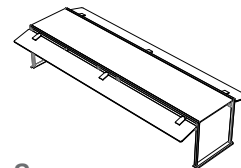
all available colors in chapter  
MATERIAL+COLOR



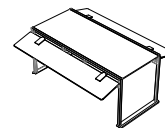
Size: M



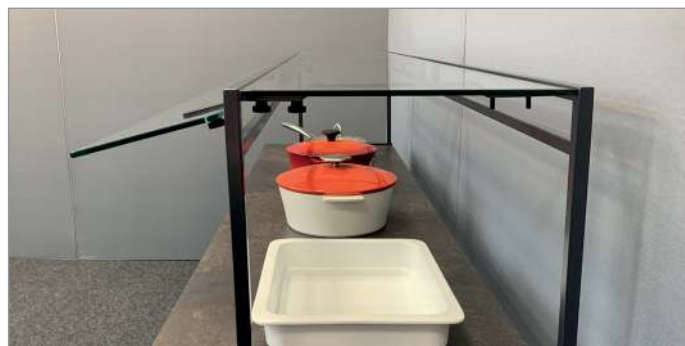
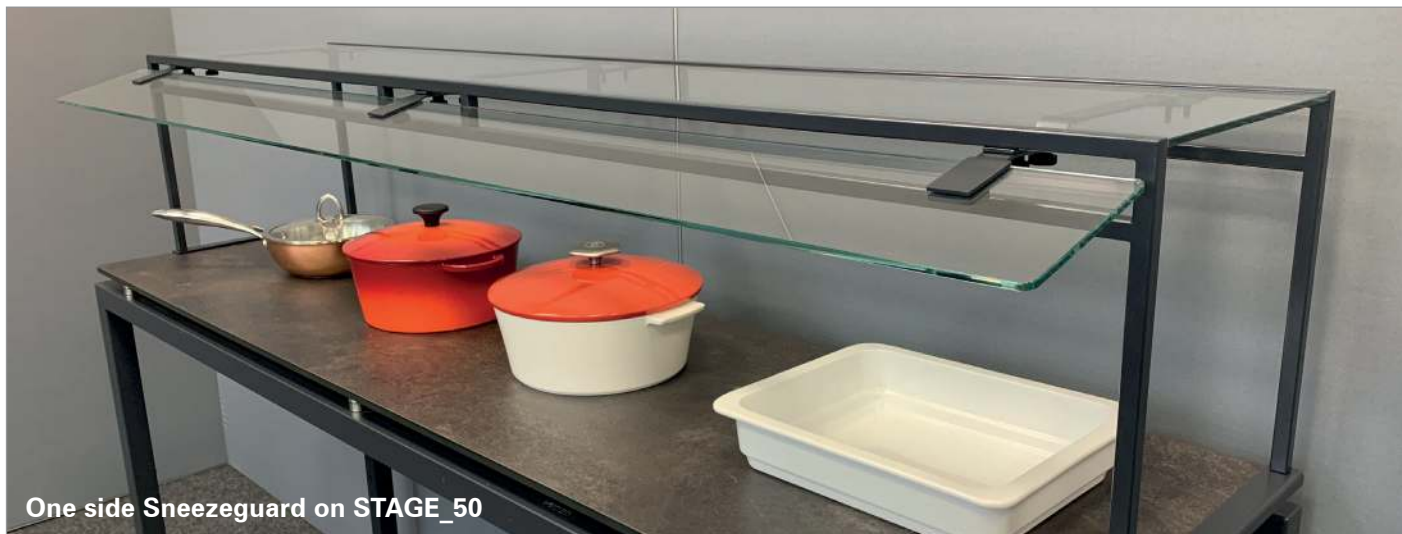
Size: S\_164



Size: S



Size: XS



## SNEEZEGUARD\_TRAVERSE

### Sneeze-guard suitable for all STAGE tables

The new sneeze-guard protects your buffet and allows to open the lid of the chafing-dish behind.

#### Overview all models

L: 1960 x 400 x 620 mm (66080)  
M: 1800 x 400 x 620 mm (66081)  
S\_164: 1640 x 400 x 620 mm (66082)  
S: 1600 x 400 x 620 mm (66083)  
XS: 800 x 400 x 620 mm (66084)

#### Base

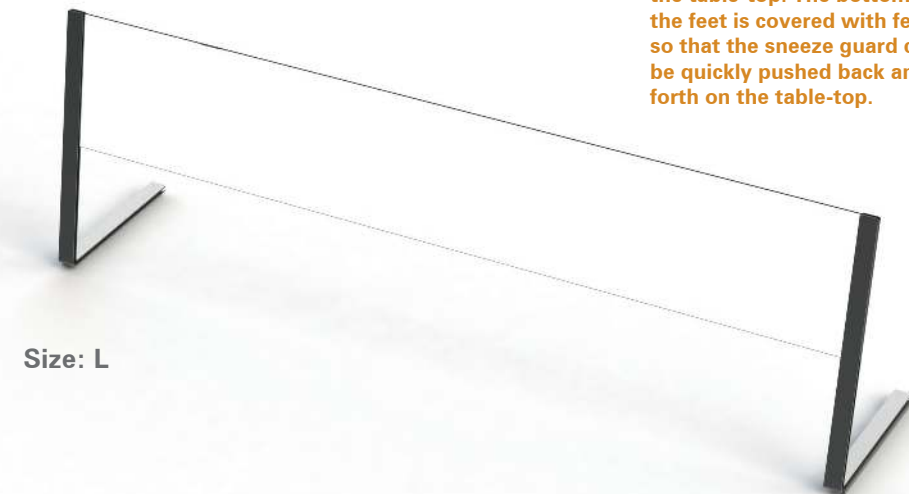
steel, powder-coated anthracite (100)  
bended profile 40 x 3 mm

#### Glass panel

transparent, safety glass, 8 mm

The length of the sneeze-guard corresponds to the length of the table.

The angular shape of the feet guarantees a safe stand on the table-top. The bottom of the feet is covered with felt so that the sneeze-guard can be quickly pushed back and forth on the table-top.



Size: L

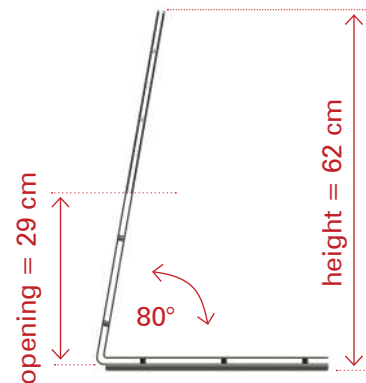
#### MATERIAL+COLOR

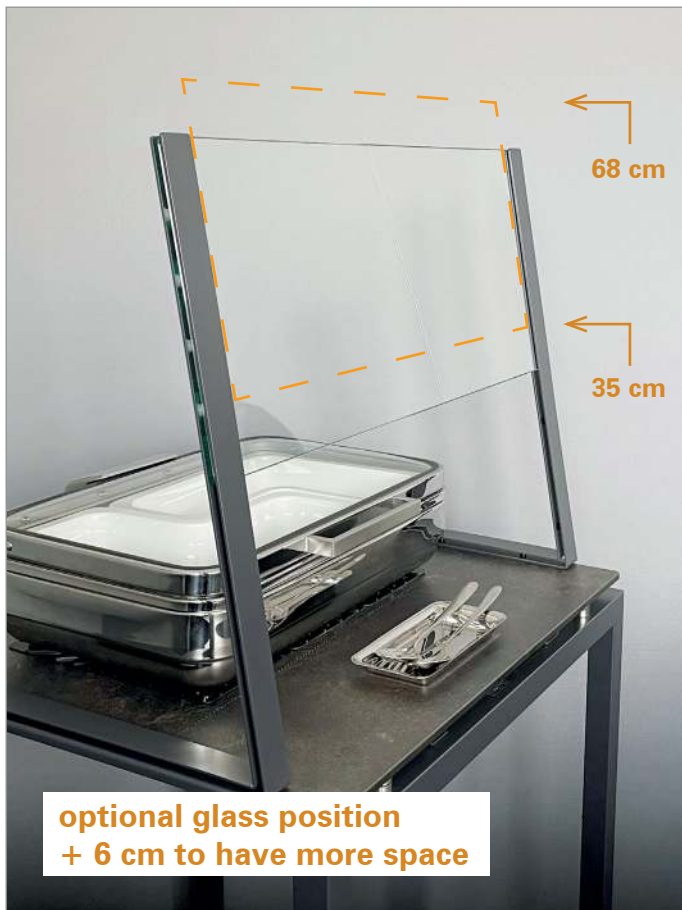
##### basic

base: 100, 101  
glass panel: 300

##### option

all available colors in chapter  
MATERIAL+COLOR





# Frontshield

transparent acrylic shields to protect your buffet

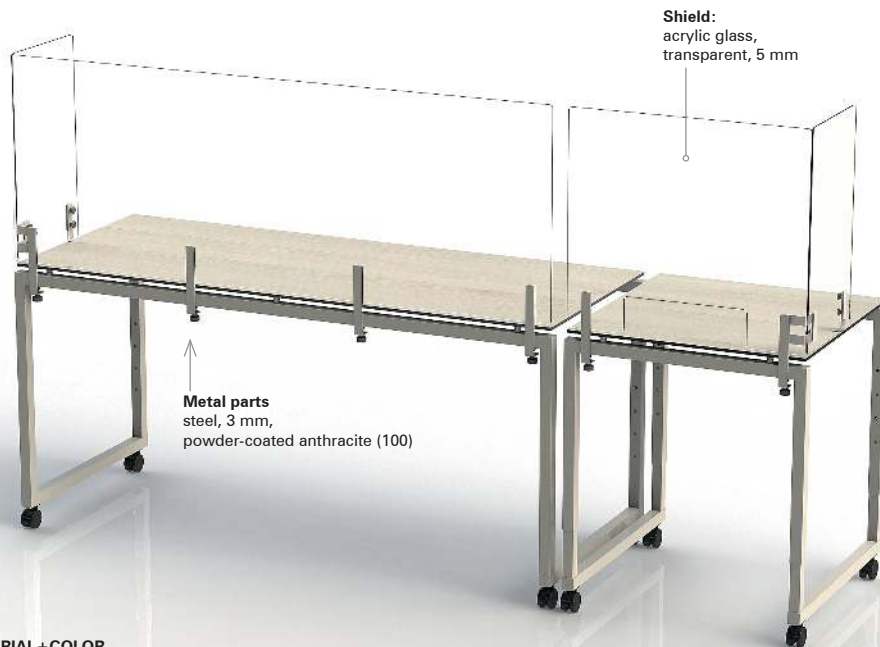


**Frontshield and heat lamp (mounted at the front side) only work with BLINDS in material compact laminate.**

## FRONTSHIELD

### protect your VENTA buffet with transparent acrylic shields

The new sneezeguard is available as one side or double side version. Protect your buffet and offers a second level for decoration items.



#### MATERIAL+COLOR

**basic**  
metal parts: 100, 101  
shield: 500

**option**  
all available colors in chapter  
MATERIAL+COLOR

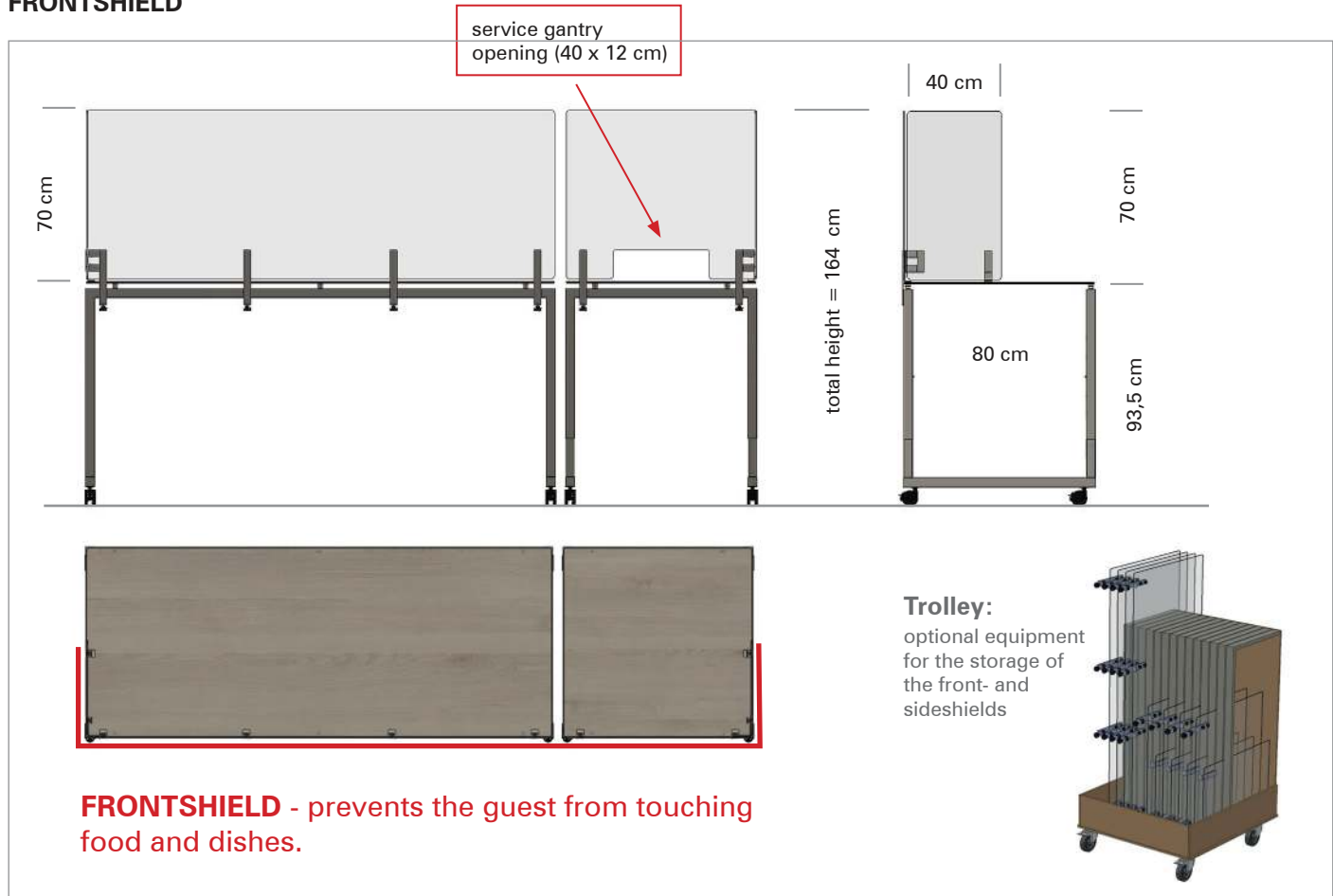
### application:

Mount the transparent acrylic glass to your VENTA table and be protected from the corona virus by preventing the guests from touching food and dishes.

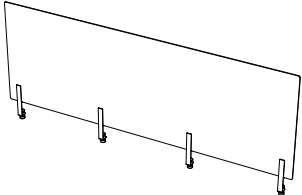
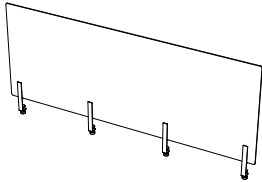
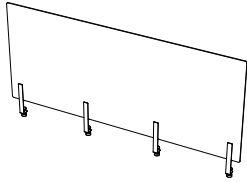
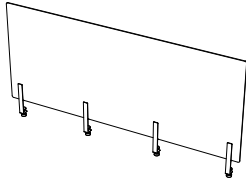
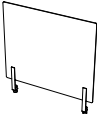
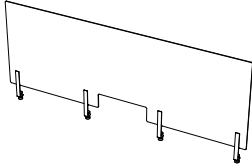
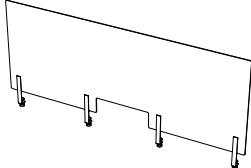
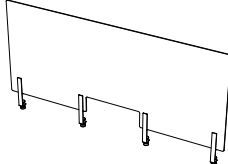
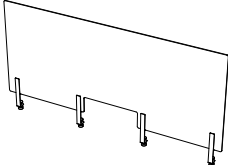
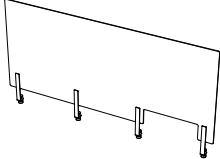
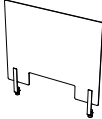
A service employee behind the table arranges the guest's selection on a plate and serves the plate through the service gantry. Every FRONTSHIELD can be mounted with special clamps on the table base frame.

The SIDESHIELD will be mounted on an already installed FRONTSHIELD. The material of the clamps is stainless steel with powder coating according to the color of the base frame. The shield itself is made in transparent acrylic glass.

## FRONTSHIELD



## FRONTSHIELD

<p><b>FRONTSHIELD_STAGE_L_70</b> Item No.: 66043 [LxWxH]: 1950 x 43 x 820 mm</p> 	<p><b>FRONTSHIELD_STAGE_M_70</b> Item No.: 66044 [LxWxH]: 1790 x 43 x 820 mm</p> 	<p><b>FRONTSHIELD_STAGE_S_164_70</b> Item No.: 66045 [LxWxH]: 1630 x 43 x 820 mm</p> 	<p><b>FRONTSHIELD_STAGE_S_70</b> Item No.: 66046 [LxWxH]: 1590 x 43 x 820 mm</p> 
<p><b>FRONTSHIELD_STAGE_XS_70</b> Item No.: 66047 [LxWxH]: 790 x 43 x 820 mm</p> 	<p><b>FRONTSHIELD_APERTURE_STAGE_L_70</b> Item No.: 66049 [LxWxH]: 1950 x 43 x 820 mm</p> 	<p><b>FRONTSHIELD_APERTURE_STAGE_M_70</b> Item No.: 66050 [LxWxH]: 1790 x 43 x 820 mm</p> 	<p><b>FRONTSHIELD_AP_STAGE_S_164_70</b> Item No.: 66051 [LxWxH]: 1630 x 43 x 820 mm</p> 
<p><b>FRONTSHIELD_APERTURE_STAGE_S_70</b> Item No.: 66052 [LxWxH]: 1590 x 43 x 820 mm</p> 	<p><b>FRONTSHIELD_SIDE_AP_STAGE_S_70</b> Item No.: 66053 [LxWxH]: 1590 x 43 x 820 mm</p> 	<p><b>FRONTSHIELD_APERTURE_STAGE_XS_70</b> Item No.: 66055 [LxWxH]: 790 x 43 x 820 mm</p> 	<p><b>All FRONTSHIELD work only with BLINDS in material COMPACT LAMINATE.</b></p> <p><b>No metal blinds possible!</b></p>

## SIDESHIELDS

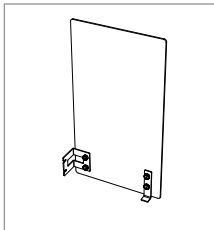
The picture shows the right SIDESHIELD (view from the backside).

It is also possible to mount the metal parts on the other side and create the left SIDESHIELD.

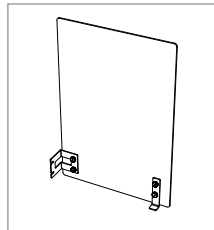
**Version to cover the half side of the depth of 80 cm table.**



**SIDESHIELD\_STAGE\_39\_70**  
Item No.: 66048  
[LxWxH]: 390 x 43 x 820 mm



**SIDESHIELD\_STAGE\_48\_70**  
Item No.: 66057  
[LxWxH]: 480 x 43 x 820 mm



The picture shows the right SIDESHIELD (view from the backside).

It is also possible to mount the metal parts on the other side and create the left SIDESHIELD.

**Version to cover the complete depth of 50 cm table.**



**Both versions can only be mounted on an already installed FRONTSHIELD.**

## STAGE\_ETAGERE | set of 4

**Item No.:** 32001100300

L: 750 x 400 x 280 mm

M: 700 x 360 x 255 mm

XS: 320 x 320 x 230 mm (two pieces)

total weight: 18,5 kg

### Base

steel, powder-coated anthracite

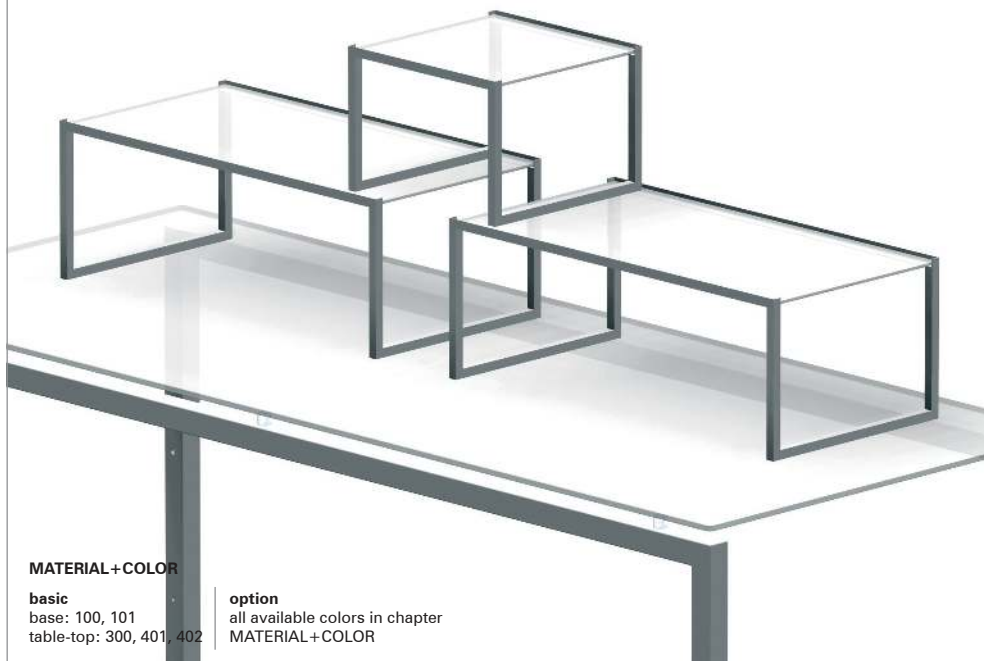
profile 15 x 15 mm,

weight: 1,4 kg/1,3 kg/2 x 0,6 kg

### Table-top

safety glass 6 mm,

weight: 4,4 kg/3,7 kg/2 x 1,5 kg



### MATERIAL+COLOR

#### basic

base: 100, 101

table-top: 300, 401, 402

#### option

all available colors in chapter

MATERIAL+COLOR

front view



side view



top view



set of four pieces



stackable for storage





Radicchio

## STAGE\_ETAGERE\_COOL\_SQ

### Item No.: 32005

[LxWxH]: 400 x 400 x 150 mm  
weight: 7,0 kg

### Base

steel, powder-coated  
profile 15 x 15 mm  
weight: 7 kg

### Table-top

safety glass 6 mm, white glass,  
underside white colored,  
weight: 2,2 kg

>>> also available as rectangular  
model [size: 850 x 420 x 200 mm]  
with 2 x COOL\_PLATES inside  
Item No.: 32006

### Bowl (for COOL\_PLATES)

steel, 1 mm, bended, powder-coated  
weight: 1,5 kg

### COOL\_PLATE

350 x 350 x 25 mm  
polystyrol, black  
weight: 2,4 kg

**2h cooling**  
**5°-10°C**  
on the glass surface  
without electricity

works only with  
glass surface



### MATERIAL+COLOR

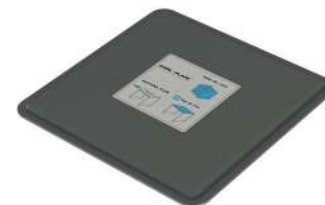
#### basic

base: 100, 101  
table-top: 303, 307

#### option

all available colors in chapter  
MATERIAL+COLOR

66003 / COOL\_PLATE



explosion view / main parts



99129 / Trolley\_COOL\_PLATES\_8





# Plate Warmer

perfectly integrated in the buffet line

only available for 230V



## STAGE\_50\_XS\_PLATE\_STATION\_KIT\_RRV-H1

### Item No.: 51027

[LxWxH]: 800 x 500 x 935 mm  
weight: 31 kg

### Base

steel, powder-coated  
profile 40 x 40 mm,  
weight: 12,6 kg

### Table-top

compact panel 10 mm  
790 x 490 mm  
weight: 5,6 kg

### Mounting frame

steel, powder-coated  
profile 40 x 40 mm  
weight: 4 kg

### FRONT- and SIDEBLINDS

compact panel: 3 mm  
decor: ceramic anthracite  
weight: 8,8 kg

### Individual

other colors on request



**warm plates**  
in a STAGE\_50\_XS

### MATERIAL+COLOR

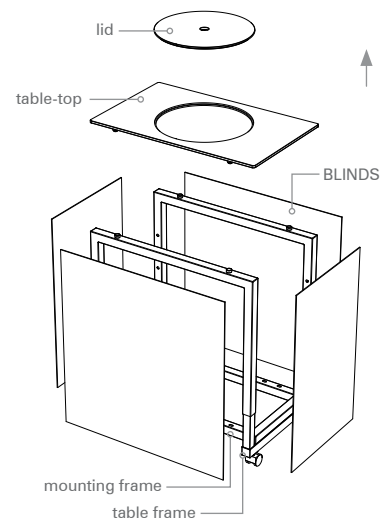
#### basic

base: 100,101  
table-top: 465, 466

#### option

all available colors in chapter  
MATERIAL+COLOR

explosion view/delivery contents



separate item/not included

Item No.: 11039



**only available for 230V**  
RIEBER plater warmer (model: RRV-H1)

## STAGE\_50\_XS\_PS\_KIT | PANEL OPTIONS

### Item No.: 51028

[LxWxH]: 800 x 500 x 935 mm  
weight: 22,2 kg

### Base

steel, powder-coated  
profile 40 x 40 mm,  
weight: 12,6 kg

### Table-top + Lid

compact panel 10 mm,  
790 x 490 mm,  
weight: 5,6 kg

### Mounting frame

steel, powder-coated  
profile 40 x 40 mm  
weight: 4 kg

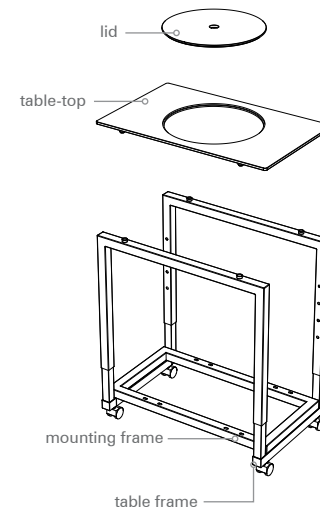
### Individual

other colors on request

**KIT without panels  
you have to add them  
with your order**



explosion view/delivery contents



separate item/not included

Item No.: 11039



**only available for 230V**  
RIEBER plater warmer (model: RRV-H1)

### MATERIAL+COLOR

#### basic

base: 100,101  
table-top: 465, 466

#### option

all available colors in chapter  
MATERIAL+COLOR

# Special Buffet Furniture

Service-Cart | Column Table | Corner Table



## STAGE\_50\_XS\_SERVICE-CART

### Item No.: 51041

[LxWxH]: 800 x 500 x 935 mm  
total weight: 32,5 kg

### Base

2 x main frame 6,6 kg  
2 x table leg 5,0 kg  
steel, powder-coated  
profile 40 x 40 mm, with height  
compensation

### 4 x Castor

diameter = 65 mm  
weight: 0,5 kg

### Height adjustable:

775 mm (lowest height)  
855, 935, 1015 mm

### Table-top

compact laminate 10 mm  
weight: 8,8 kg

### SHELF\_STAGE\_50\_XS

#### Item No.: 50007

[LxWxH]: 740 x 428 x 353 mm  
weight: 6,5 kg

### SHELF\_LOW\_STAGE\_50\_XS

#### Item No.: 50026

[LxWxH]: 790 x 440 x 10 mm  
weight: 5,1 kg

### Additional equipment

(please order separately)  
blinds in metal with decor cut-outs  
(BAMBOO, LEAF, STRIPES design) or  
in compact panel (thickness of 3 mm),  
decor: e.g. ceramic anthracite and  
many more options



The small buffet table  
STAGE\_50\_XS and two  
additional shelves result in  
a new product: the VENTA  
SERVICE-CART.

This very useful table  
offers a wide range of  
applications.

Small ordering table for  
serving, as a small tea  
trolley for meetings or sim-  
ply equipped with a blind as  
practical storage space.

### MATERIAL+COLOR

#### basic

base: 100,101  
table-top: 465, 466  
shelf: 465, 466

#### option

all available colors in chapter  
MATERIAL+COLOR

## QUAD\_230 (set of 2 items)

Item No.: 28001

### QUAD\_230

[LxWxH]: 1600 x 700 x 900 mm  
weight: 32 kg

#### Base

steel, powder-coated  
profile 30 x 30 mm, not foldable  
weight: 10 kg

#### Table-top

safety glass 10 mm,  
to be fixed to the base,  
weight: 22 kg

### QUAD\_ETAGERE\_160

[LxWxH]: 1100 x 350 x 260 mm  
weight: 11,3 kg

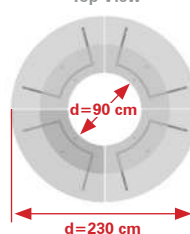
#### 4 x Feet

stainless steel, matt abraded  
weight: 4 x 0,7 kg = 2,8 kg

#### Table-top

safety glass 10 mm,  
bolted with the feet,  
weight: 8,5 kg

Top View



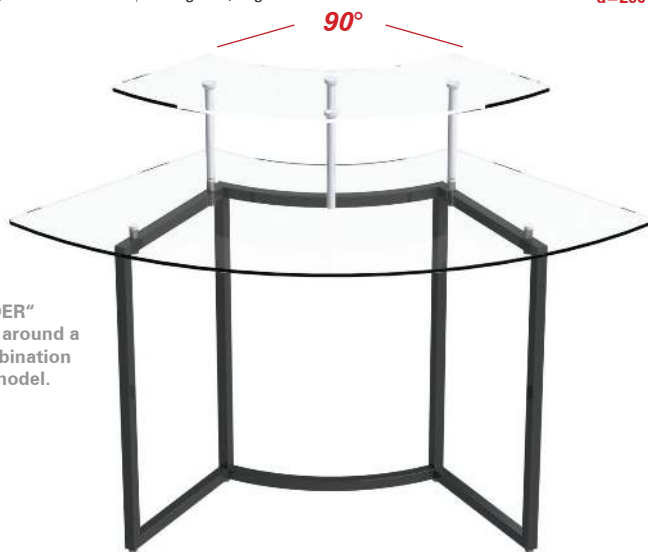
4 x QUAD  
around a column  
( $\phi=230$  cm)



compilation of  
4 x QUAD and  
4 x SCAPE



The „ALL-ROUNDER“  
placed in a circle, around a  
column or in combination  
with the SCAPE model.



#### MATERIAL+COLOR

##### basic

base: 100,101  
table-top: 300, 465, 466

##### option

all available colors in chapter  
MATERIAL+COLOR

Item No.: 99135

Trolley for 4 x QUAD



weight: 67 kg [empty]/240 kg [full]

## STAGE\_80\_XS\_45\_RO

### Item No.: 81141

[LxWxH]: 800 x 770 x 775 mm  
height adjustable: 855, 935, 1015 mm  
total weight: 32 kg

### Base

steel, powder-coated  
profile 40 x 40 mm, with height  
compensation

### Table-top

compact laminate 10 mm

### Shelf\_47

steel, powder-coated  
compact laminate 10 mm

### Shelf\_Low

compact laminate 10 mm



### MATERIAL+COLOR

#### basic

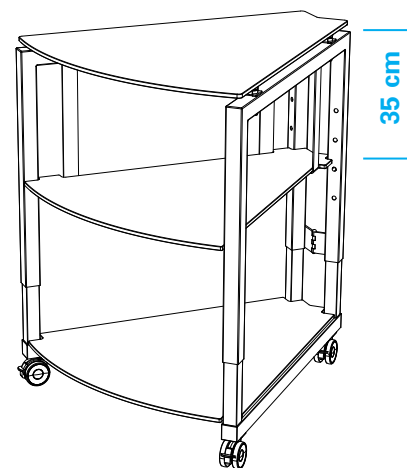
base: 100,101  
table-top: 465, 466  
shelf: 465, 466

#### option

all available colors in chapter  
MATERIAL+COLOR

### Item No.: 81140

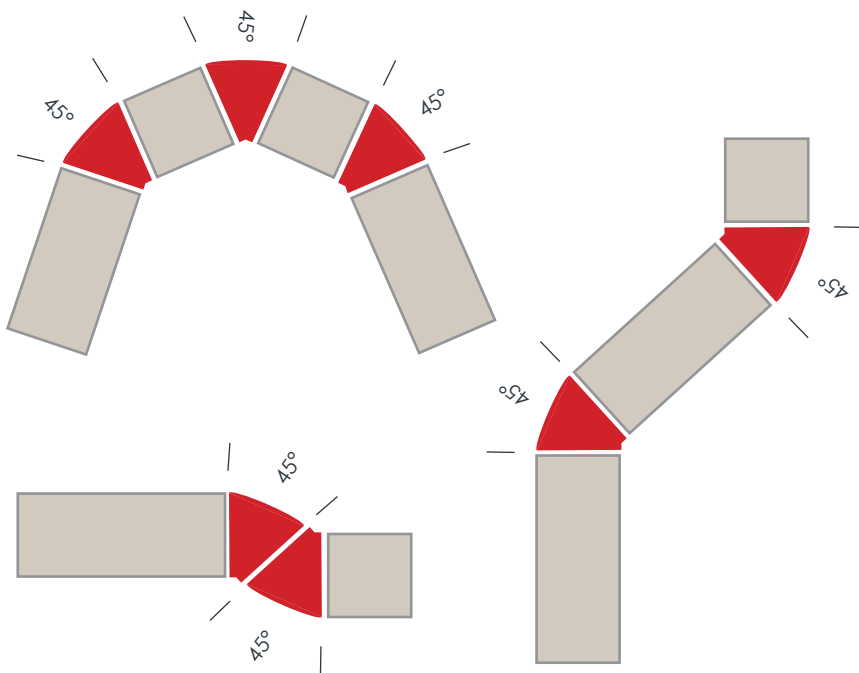
[LxWxH]: 800 x 770 x 775 mm  
height adjustable: 855, 935, 1015 mm  
total weight: 31,6 kg



## Style your buffet in any shape

The 45° table allows you to create various setups with the rectangular STAGE tables.

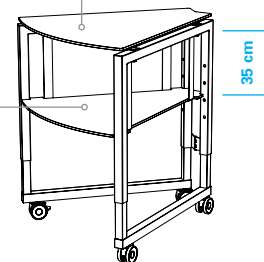
With the optional shelves you have attractive and functional corner points in your buffet line.



## Single parts

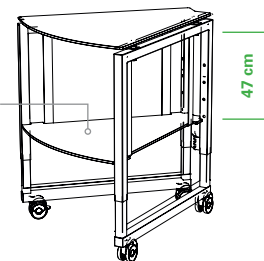
### STAGE\_80\_XS\_45\_RO

Item No.: 81114  
[LxWxH]: 800 x 770 x 935 mm  
weight: 20,3 kg



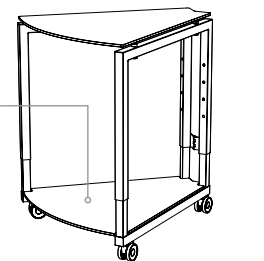
### SHELF\_STAGE\_80\_XS\_45\_RO

Item No.: 80115  
[LxWxH]: 825 x 660 x 350 mm  
weight: 6,0 kg



### SHELF\_47\_STAGE\_80\_XS\_45\_RO

Item No.: 80116  
[LxWxH]: 825 x 660 x 470 mm  
weight: 6,4 kg



### SHELF\_LOW\_STAGE\_80\_XS\_45\_RO

Item No.: 80117  
[LxWxH]: 825 x 675 x 10 mm  
weight: 5,3 kg

## STAGE\_80\_XS\_90\_RO

### Item No.: 81137

[LxWxH]: 900 x 900 x 775 mm  
height adjustable: 855, 935, 1015 mm  
total weight: 42,6 kg

### Base

steel, powder-coated  
profile 40 x 40 mm, with height  
compensation

### Table-top

compact laminate 10 mm

### Shelf\_47

steel, powder-coated  
compact laminate 10 mm

### Shelf\_Low

compact laminate 10 mm



### MATERIAL+COLOR

#### basic

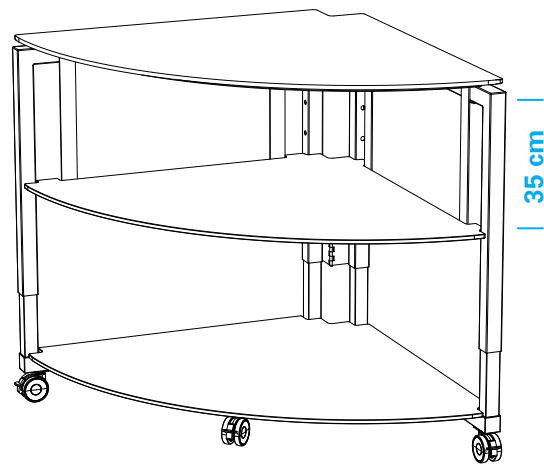
base: 100,101  
table-top: 465, 466  
shelf: 465, 466

#### option

all available colors in chapter  
MATERIAL+COLOR

### Item No.: 81134

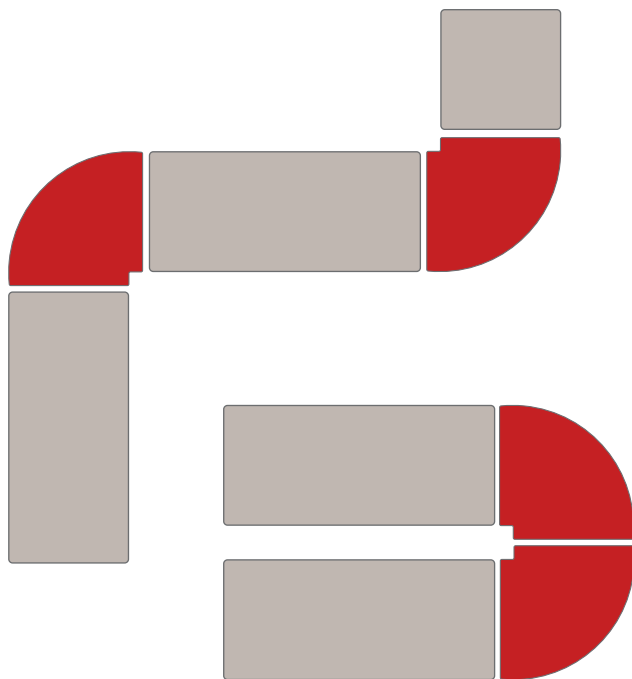
[LxWxH]: 900 x 900 x 775 mm  
height adjustable: 855, 935, 1015 mm  
total weight: 42,2 kg



## Style your buffet in any shape

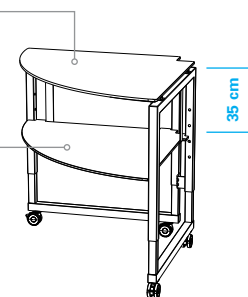
The 90° table allows to create various setups with the rectangular STAGE tables.

With the optional shelves you have attractive and functional corner points in your buffet line.

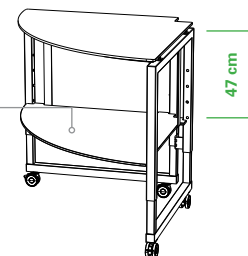


## Single parts

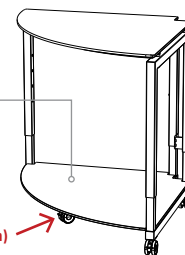
**STAGE\_80\_XS\_45\_RO**  
Item No.: 81124  
[LxWxH]: 800 x 770 x 935 mm  
weight: 20,3 kg



**SHELF\_STAGE\_80\_XS\_90\_RO**  
Item No.: 80125  
[LxWxH]: 860 x 860 x 370 mm  
weight: 9,1 kg



**SHELF\_47\_STAGE\_80\_XS\_90\_RO**  
Item No.: 80126  
[LxWxH]: 860 x 860 x 490 mm  
weight: 9,5 kg



**SHELF\_LOW\_STAGE\_80\_XS\_90\_RO**  
Item No.: 80127  
[LxWxH]: 880 x 880 x 130 mm  
weight: 8,4 kg

>>> with additional castor (d = 65 mm)  
to ensure stability under high load

# Special Buffet Furniture

DUCK\_STATION | TABLE\_RACK

## DUCK\_STATION

**Item No.:** 32011

[LxWxH]: 762 x 430 x 800 mm  
total weight: 8,4 kg

**Base**

material: steel, powder-coated,  
profile 15 x 15 mm  
weight: 5,3 kg

**Upper cross bar**

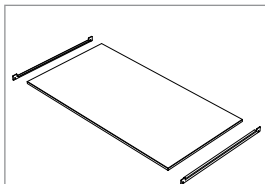
material: stainless steel  
dimension: 765 x 16 x 17 mm  
weight: 0,3 kg

**Tray**

material: stainless steel  
dimension: 762 x 430 x 16 mm  
weight: 2,76 kg

**OPTIONAL EQUIPMENT**

modification set for DUCK STATION  
Item No.: 32018



Please choose the number of shelves for your purpose to create a TABLE\_RACK.

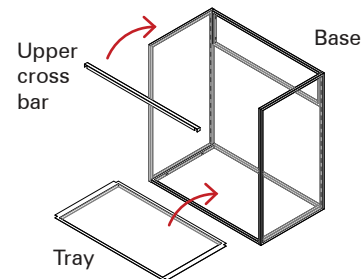
**MATERIAL+COLOR**

**basic**

base: 100,101  
+ stainless steel (199)

**option**

all available colors in chapter  
MATERIAL+COLOR



including 4 x meat hook (100 mm)



## TABLE\_RACK

### Item No.: 32010

[LxWxH]: 762 x 430 x 800 mm  
total weight: 18,3 kg

### Base

material: steel, powder-coated,  
profile 15 x 15 mm  
weight: 6,0 kg

### Shelf

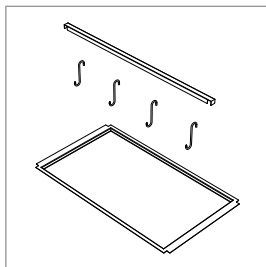
material: compact laminate 10 mm  
dimension: 743 x 395 mm  
weight: 4,1 kg

### Shelf (alternate material)

material: glass, 6 mm  
dimension: 743 x 395 mm  
weight: 4,3 kg

### OPTIONAL EQUIPMENT

modification set for TABLE RACK  
Item No.: 32017



### MATERIAL+COLOR

#### basic

base: 100,101  
table-top: 300, 465, 466

#### option

all available colors in chapter  
MATERIAL+COLOR



grid of 5 cm to install  
the shelves at different  
heights suitable for  
your purposes



## TABLE\_RACK\_V2

### Item No.: 32019

[LxWxH]: 762 x 430 x 800 mm  
total weight: 20,7 kg

### Base

material: steel, powder-coated,  
profile 15 x 15 mm  
weight: 6,0 kg

### Shelf

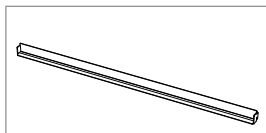
material: compact laminate 10 mm  
dimension: 743 x 395 mm  
weight: 4,1 kg

### Shelf (alternate material)

material: glass, 6 mm  
dimension: 743 x 395 mm  
weight: 4,3 kg

### OPTIONAL EQUIPMENT

modification\_set\_for\_sloping\_shelves  
Item No.: 32020



6 x angle rail for converting  
a TABLE RACK (horizontal  
shelves only) into a TABLE  
RACK with the option for  
inclined shelves

### MATERIAL+COLOR

#### basic

base: 100,101  
table-top: 300, 465, 466

#### option

all available colors in chapter  
MATERIAL+COLOR

shelf:  
compact laminate,  
ceramic  
anthracite  
(402)

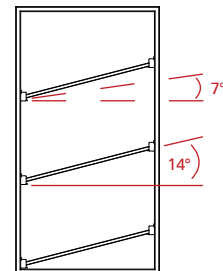


base: steel,  
powder-coated  
(100)

TABLE\_RACK  
fits perfectly on a  
STAGE\_80\_XS  
table

inclination adjustable  
in two angles  
7° or 14°

horizontal position is  
also possible



# Foldable Buffet Tables

SCAPE | LEVEL



## SCAPE\_70 | Foldable Table System

- > foldable table base
- > available in 3 heights (75 cm, 90 cm, 105 cm)
- > with or without lower-tray
- > square or round table-top



SCAPE\_70 | Foldable Table System



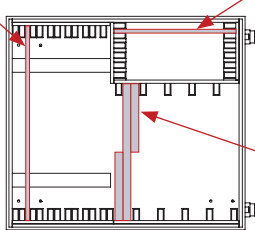
connection from the foot to the table top through a screw (not removable)



one adjustable foot on the bottom of the base frame



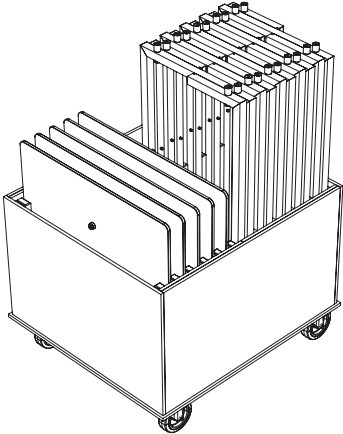
5 x space for table-top (round and square, possible to mix)



5 x space for lower tray (round and square, possible to mix)

5 x space for base frame (all heights)

Item No.: 99137  
 [LxWxH]: 780 x 870 x 670 mm  
 weight: 45,0 kg



## SCAPE\_70\_SQ\_75

**Item No.: 24010**

[LxWxH]: 700 x 700 x 750 mm  
total weight: 13,3 kg

**Base**

foldable base frame without side holder  
steel, powder-coated  
profile 30 x 30 mm  
weight: 6,3 kg

**Table-top**

compact panel, 700 x 700 x 10 mm, underside  
with 4 x connectors  
weight: 7,0 kg



## SCAPE\_70\_SQ\_90

**Item No.: 24011**

[LxWxH]: 700 x 700 x 900 mm  
total weight: 13,8 kg

**Base**

foldable base frame without side holder  
steel, powder-coated  
profile 30 x 30 mm  
weight: 6,8 kg

**Table-top**

compact panel, 700 x 700 x 10 mm, underside  
with 4 x connectors  
weight: 7,0 kg



## SCAPE\_70\_SQ\_105

**Item No.: 24012**

[LxWxH]: 700 x 700 x 1050 mm  
total weight: 14,3 kg

**Base**

foldable base frame without side holder  
steel, powder-coated  
profile 30 x 30 mm  
weight: 7,3 kg

**Table-top**

compact panel, 700 x 700 x 10 mm, underside  
with 4 x connectors  
weight: 7,0 kg



**MATERIAL+COLOR**

**basic**

base: 100, 101  
table-top: 300, 465, 466

**option**

all available colors in chapter  
MATERIAL+COLOR

## SCAPE\_70\_RO\_75

**Item No.:** 24019

[LxWxH]: 700 x 700 x 750 mm  
total weight: 11,8 kg

**Base**

foldable base frame without side holder  
steel, powder-coated anthracite (100)  
profile 30 x 30 mm  
weight: 6,3 kg

**Table-top**

compact panel, d = 700mm x 10 mm,  
underside with 4 x connectors  
weight: 5,5 kg



## SCAPE\_70\_RO\_90

**Item No.:** 24020

[LxWxH]: 700 x 700 x 900 mm  
total weight: 12,3 kg

**Base**

foldable base frame without side holder  
steel, powder-coated anthracite (100)  
profile 30 x 30 mm  
weight: 6,8 kg

**Table-top**

compact panel, d = 700 x 10 mm,  
underside with 4 x connectors  
weight: 5,5 kg



## SCAPE\_70\_RO\_105

**Item No.:** 24021

[LxWxH]: 700 x 700 x 1050 mm  
total weight: 12,8 kg

**Base**

foldable base frame without side holder  
steel, powder-coated anthracite (100)  
profile 30 x 30 mm  
weight: 7,3 kg

**Table-top**

compact panel, d = 700 x 10 mm,  
underside with 4 x connectors  
weight: 5,5 kg



**MATERIAL+COLOR**

**basic**

base: 100,101  
table-top: 300, 465, 466

**option**

all available colors in chapter  
MATERIAL+COLOR

## SCAPE\_70\_SQ\_75\_T

**Item No.:** 24022

[LxWxH]: 700 x 700 x 750 mm  
total weight: 15,9 kg

**Base**

foldable base frame with side holder  
steel, powder-coated  
profile 30 x 30 mm, weight: 6,3 kg

**Table-top**

compact panel, 700 x 700 x 10 mm, underside with 4 x  
connectors, weight: 7,0 kg

**Lower-tray**

compact panel, 425 x 425 x 10 mm  
weight: 2,6 kg



**MATERIAL+COLOR**

**basic**

base: 100, 101  
table-top: 300, 465, 466

**option**

all available colors in chapter  
MATERIAL+COLOR

## SCAPE\_70\_SQ\_90\_T

**Item No.:** 24023

[LxWxH]: 700 x 700 x 900 mm  
total weight: 16,4 kg

**Base**

foldable base frame with side holder  
steel, powder-coated  
profile 30 x 30 mm, weight: 6,8 kg

**Table-top**

compact panel, 700 x 700 x 10 mm, underside with 4 x  
connectors, weight: 7,0 kg

**Lower-tray**

compact panel, 425 x 425 x 10 mm  
weight: 2,6 kg



## SCAPE\_70\_SQ\_105\_T

**Item No.:** 24024

[LxWxH]: 700 x 700 x 1050 mm  
total weight: 16,9 kg

**Base**

foldable base frame with side holder  
steel, powder-coated  
profile 30 x 30 mm, weight: 7,3 kg

**Table-top**

compact panel, 700 x 700 x 10 mm, underside with 4 x  
connectors, weight: 7,0 kg

**Lower-tray**

compact panel, 425 x 425 x 10 mm  
weight: 2,6 kg



## SCAPE\_70\_RO\_75\_T

**Item No.:** 24025

[LxWxH]: 700 x 700 x 750 mm  
total weight: 13,8 kg

**Base**

foldable base frame without side holder  
steel, powder-coated  
profile 30 x 30 mm, weight: 6,3 kg

**Table-top**

compact panel, d = 700mm x 10 mm, underside with  
4 x connectors, weight: 5,5 kg

**Lower-tray**

compact panel, d = 425 x 10 mm  
weight: 2,0 kg



## SCAPE\_70\_RO\_90\_T

**Item No.:** 24026

[LxWxH]: 700 x 700 x 900 mm  
total weight: 14,3 kg

**Base**

foldable base frame without side holder  
steel, powder-coated  
profile 30 x 30 mm, weight: 6,8 kg

**Table-top**

compact panel, d = 700 x 10 mm, underside with  
4 x connectors, weight: 5,5 kg

**Lower-tray**

compact panel, d = 425 x 10 mm  
weight: 2,0 kg



## SCAPE\_70\_RO\_105\_T

**Item No.:** 24027

[LxWxH]: 700 x 700 x 1050 mm  
total weight: 14,8 kg

**Base**

foldable base frame without side holder  
steel, powder-coated  
profile 30 x 30 mm, weight: 7,3 kg

**Table-top**

compact panel, d = 700 x 10 mm, underside with  
4 x connectors, weight: 5,5 kg

**Lower-tray**

compact panel, d = 425 x 10 mm  
weight: 2,0 kg



**MATERIAL+COLOR**

**basic**

base: 100,101  
table-top: 300, 465, 466

**option**

all available colors in chapter  
MATERIAL+COLOR

## SCAPE\_180

### Item No.: 24002

[LxWxH]: 1800 x 700 x 900 mm  
total weight: 30,3 kg

### Base

foldable base frame  
steel, powder-coated  
profile 30 x 30 mm, weight: 13,3 kg

### Table-top

compact panel, 1800 x 700 x 10 mm,  
underside with 7 x connectors  
weight: 17,0 kg

### Height options

table height = 750 mm  
table height = 1050 mm

### Alternative:

#### Table-top

safety glass 10 mm  
weight: 31 kg



### MATERIAL+COLOR

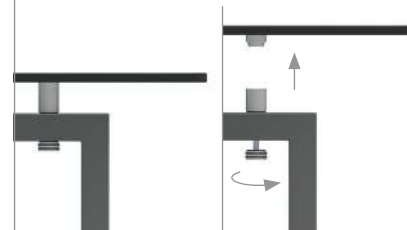
#### basic

base: 100, 101  
table-top: 300, 465, 466

#### option

all available colors in chapter  
MATERIAL+COLOR

connection between table-top and base



folding-system



### Item No.: 99136

Trolley for maximum 5 x SCAPE\_180



weight: 72 kg [empty] / 223,5 kg [full]

## LEVEL\_150 | set of 3 items

**Item No.:** 26001

**LEVEL\_Table\_150**

[LxWxH]: 1500 x 750 x 840 mm  
weight: 19,0 kg

**Base**

foldable base frame  
steel, powder-coated  
profile 30 x 30 mm, weight: 8,0 kg

**Table-top**

compact panel, 1800 x 700 x 10 mm,  
underside with 3 x connectors  
weight: 11,0 kg

**LEVEL\_ETAGERE\_100**

[LxWxH]: 1000 x 500 x 260 mm  
weight: 7,6 kg

**Feet**

stainless steel, matt abraded  
weight: 3 x 0,7 kg

**Table-top**

compact panel, 1000 x 500 x 10 mm,  
underside with 3 x connectors  
weight: 5,5 kg

**LEVEL\_ETAGERE\_60**

[LxWxH]: 600 x 300 x 200 mm  
weight: 3,5 kg

**Feet**

stainless steel, matt abraded  
weight: 3 x 0,5 kg

**Table-top**

compact panel, 600 x 300 x 10 mm,  
underside with 3 x connectors  
weight: 2,0 kg



**MATERIAL+COLOR**

**basic**

base: 100,101  
table-top: 300, 465, 466

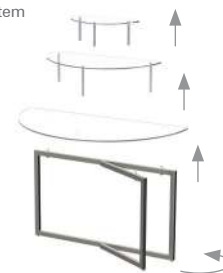
**option**

all available colors in chapter  
MATERIAL+COLOR

connection between table-top and feet



folding-system



**Item No.:** 99134

Trolley for max. 4 x LEVEL\_150



weight: 77 kg [empty] / 197,4 kg [full]

# Cocktail Tables + Bar Area

Cocktail Table | High Table | High Stool | Hospi Desk | Backbar | Side Table | Mobile Bar





SET\_70 / versions of material + color



## SET\_70 | glass top

### Item No.: 23001

[LxWxH]: 700 x 700 x 1050 mm  
weight: 18,5 kg

### Base

steel, powder-coated  
profile 30 x 30 mm, can be folded  
weight: 7 kg

### Table-top

safety glass 10 mm,  $\varnothing = 700$  mm,  
to be fixed to the base,  
weight: 10 kg

### Lower-tray

safety glass 4 mm,  $\varnothing = 425$  mm  
weight: 1,5 kg



### MATERIAL+COLOR

#### basic

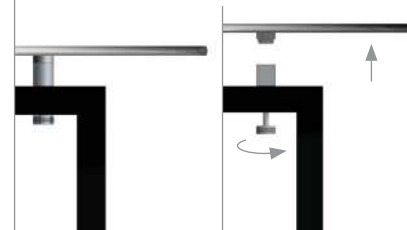
base: 100,101  
table-top: 300  
lower-tray: 300

#### option

all available colors in chapter  
MATERIAL+COLOR

Trolley for  
SET\_70 tables  
with table-top  
and lower tray  
in material  
glass.

connection between table-top and base



folding-system



### Item No.: 99101

Trolley for 10 x cocktail table\_SET\_70



weight: 35 kg [empty] / 220 kg [full]

## SET\_65 | glass top

### Item No.: 23004

[LxWxH]: 650 x 650 x 1050 mm  
weight: 18,6 kg

### Base

steel, powder-coated  
profile 30 x 30 mm, can be folded  
weight: 7 kg

### Table-top

safety glass 10 mm, 650 x 650 mm,  
to be fixed to the base,  
weight: 10 kg

### Lower-tray

safety glass 4 mm, 425 x 425 mm  
weight: 1,6 kg

The table top  
has a size of  
650 x 650 mm  
to ensure the  
stability of the  
cocktail table.



### MATERIAL+COLOR

#### basic

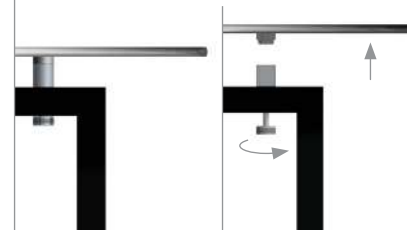
base: 100,101  
table-top: 300  
lower-tray: 300

#### option

all available colors in chapter  
MATERIAL+COLOR

Trolley for  
SET\_65 tables  
with table-top  
and lower tray  
in material  
glass.

connection between table-top and base



folding-system



### Item No.: 99103

Trolley for 10 x cocktail table\_SET\_65



weight: 35 kg [empty] / 221 kg [full]

## SET\_70 | compact laminate

### Item No.: 23001

[LxWxH]: 700 x 700 x 1050 mm  
weight: 14,0 kg

### Base

steel, powder-coated  
profile 30 x 30 mm, can be folded  
weight: 7 kg

### Table-top

compact laminate 10 mm,  $\phi = 700$  mm,  
to be fixed to the base,  
weight: 5,5 kg

### Lower-tray

compact laminate 10 mm,  
 $\phi = 425$  mm,  
weight: 1,5 kg



### MATERIAL+COLOR

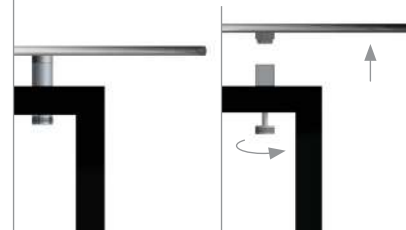
#### basic

base: 100, 101  
table-top: 465, 466  
lower-tray: 465, 466

#### option

all available colors in chapter  
MATERIAL+COLOR

connection between table-top and base

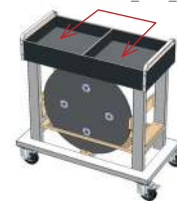


folding-system



### Item No.: 99102

Trolley for 10 x cocktail table\_SET\_70



>>>each  
compartment  
can take 5 x  
lower-tray

This special  
trolley is neces-  
sary for SET\_70  
with lower-tray  
in material com-  
pact laminate.

weight: 35 kg [empty] / 221 kg [full]

## SET\_65 | compact laminate

### Item No.: 23004

[LxWxH]: 650 x 650 x 1050 mm  
weight: 14,6 kg

### Base

steel, powder-coated  
profile 30 x 30 mm, can be folded  
weight: 7 kg

### Table-top

safety glass 10 mm, 650 x 650 mm,  
to be fixed to the base,  
weight: 10 kg

### Lower-tray

compact laminate 10 mm,  
425 x 425 mm,  
weight: 1,5 kg



The table top  
has a size of  
650 x 650 mm  
to ensure the  
stability of the  
cocktail table.

### MATERIAL+COLOR

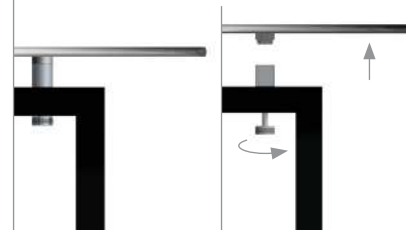
#### basic

base: 100, 101  
table-top: 465, 466  
lower-tray: 465, 466

#### option

all available colors in chapter  
MATERIAL+COLOR

connection between table-top and base

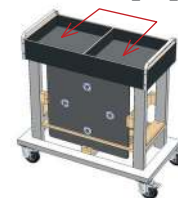


folding-system



### Item No.: 99104

Trolley for 10 x cocktail table\_SET\_65



>>>each  
compartment  
can take 5 x  
lower-tray

This special  
trolley is neces-  
sary for SET\_65  
with lower-tray  
in material com-  
pact laminate.

weight: 35 kg [empty] / 221 kg [full]

# LED Frame

illuminate your cocktail table

available for 110V and 230V



## SET\_70\_LED

### Item No.: 23007

[LxWxH]: 700 x 700 x 1050 mm  
weight: 20 kg

### Base

steel, powder-coated  
profile 30 x 30 mm, can be folded  
weight: 7 kg

### Table-top

safety glass 10 mm,  $\phi = 700$  mm,  
white glass-top  
to be fixed to the base,  
weight: 10 kg

### remote control

to adjust the LED color



### MATERIAL+COLOR

#### basic

base: 100,101  
table-top: 300, 465, 466

#### option

all available colors in chapter  
MATERIAL+COLOR

### LED frame

steel, 1 mm, powder-coated  
anthracite, white acrylic glass,  
weight: 1,5 kg

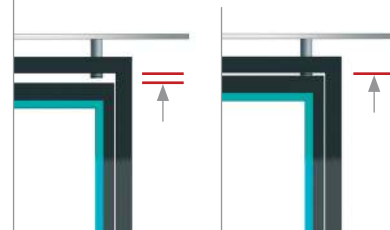
### Individual

other frame colors on request

illuminate your  
table in any color



connection between table base and LED-frame



mounting of the LED-frame



folding-system of the SET Table



## LED\_FRAME\_SET

**66001**

[LxWxH]: 940 x 425 x 30 mm  
weight: 5,5 kg

**Base**

steel, 1 mm, powder-coated

**Light frame**

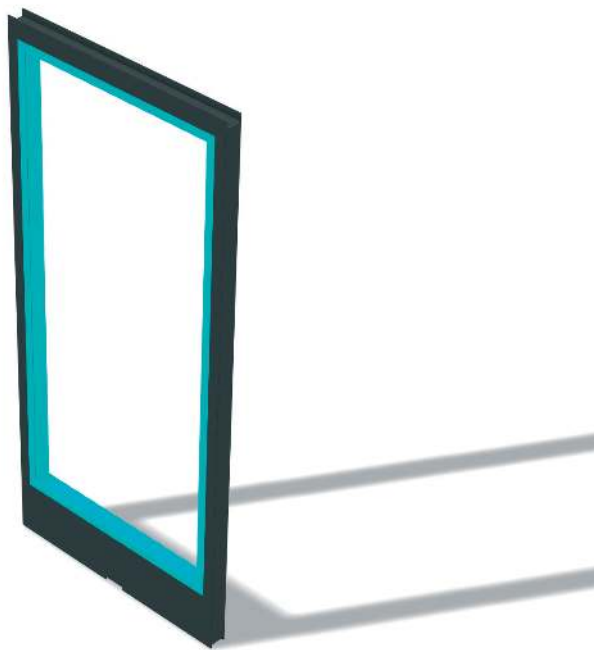
white acrylic glass,  
30 x 15 mm

**Electrical parts**

input 100-240V, 50/60Hz,  
working voltage 12~24V

available for 110V and 230V

additional LED frame  
to upgrade your  
cocktail table

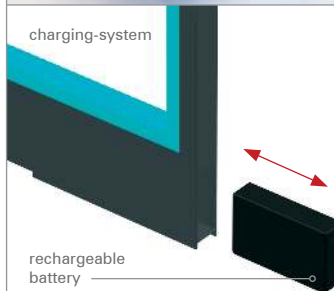


5 hours of  
light capacity

remote control  
to adjust the LED color



charging-system



rechargeable  
battery

Item No.: 99105  
Trolley for 10 x LED frame



weight: 40 kg [empty] / 55 kg [full]

## SET\_100 | compact laminate

### Item No.: 23017

[LxWxH]: 1000 x 1000 x 1050 mm  
weight: 24,7 kg

### Base

steel, powder-coated  
profile 30 x 30 mm, can be folded  
weight: 8,8 kg

### Table-top

compact laminate 10 mm,  
 $\phi = 1000$  mm,  
to be fixed to the base,  
weight: 11,6 kg

### Lower-tray

compact laminate 10 mm,  
 $\phi = 625$  mm,  
weight: 4,3 kg

only available in  
compact laminate



### MATERIAL+COLOR

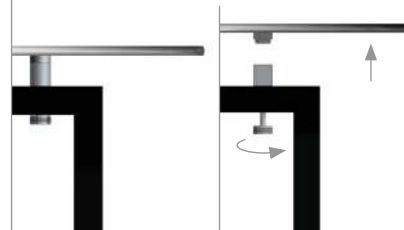
#### basic

base: 100,101  
table-top: 465, 466

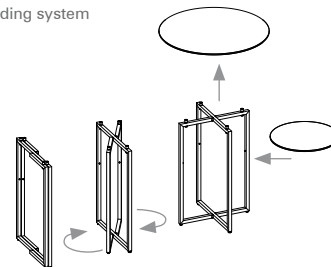
#### option

all available colors in chapter  
MATERIAL+COLOR

connection between table-top and base



folding system



### Item No.: 99164

Trolley for max. 5 x cocktail table\_SET\_100



weight: 90 kg [empty] / 213,5 kg [full]

## SET\_100 | compact laminate

### Item No.: 23018

[LxWxH]: 1000 x 1000 x 1050 mm  
weight: 20,4 kg

### Base

steel, powder-coated  
profile 30 x 30 mm, can be folded  
weight: 8,8 kg

### Table-top

compact laminate 10 mm,  
ø = 1000 mm,  
to be fixed to the base,  
weight: 11,6 kg



only available in  
compact laminate

No Lower-tray !

### MATERIAL+COLOR

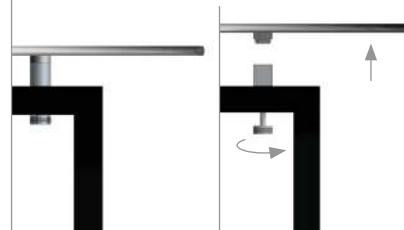
#### basic

base: 100,101  
table-top: 465, 466

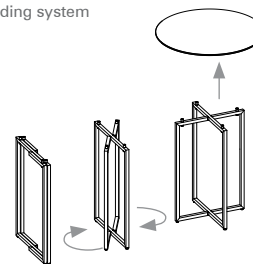
#### option

all available colors in chapter  
MATERIAL+COLOR

connection between table-top and base



folding system



### Item No.: 99164

Trolley for max. 5 x cocktail table\_SET\_100



weight: 90 kg [empty] / 192 kg [full]

## STAGE\_50\_L

### Item No.: 51002

[LxWxH]: 1960 x 500 x 935 mm  
total weight: 32,1 kg

### Base

2 x main frame 11,6 kg  
2 x table leg 5,0 kg  
steel, powder-coated  
profile 40 x 40 mm, with height  
compensation

### 4 x Castor

diameter = 65 mm  
weight: 0,5 kg

### Height adjustable:

935 mm (lowest height)  
1015, 1095, 1175 mm

### Table-top

compact laminate 10 mm  
weight: 15,0 kg

### Alternative:

### Table-top

safety glass 10 mm  
weight: 24,0 kg

height can  
be adjusted  
(93,5-117,5 cm)



### MATERIAL+COLOR

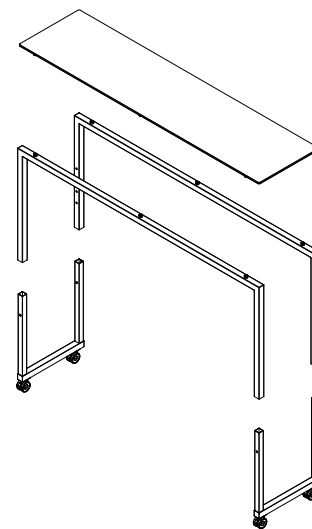
#### basic

base: 100, 101  
table-top: 300, 465, 466

#### option

all available colors in chapter  
MATERIAL+COLOR

assembly of individual parts without tools



### Item No.: 99109

Trolley for 4 x STAGE\_50\_L (maximum load)



weight: 75 kg [empty] / 203,4 kg [full]

## STAGE\_50\_M

### Item No.: 51003

[LxWxH]: 1800 x 500 x 855 mm  
total weight: 29,1 kg

### Base

2 x main frame 10,6 kg  
2 x table leg 5,0 kg  
steel, powder-coated  
profile 40 x 40 mm, with height  
compensation

height can  
be adjusted  
(85,5-109,5 cm)



### MATERIAL+COLOR

#### basic

base: 100, 101  
table-top: 300, 465, 466

#### option

all available colors in chapter  
MATERIAL+COLOR

### 4 x Castor

diameter = 65 mm  
weight: 0,5 kg

### Height adjustable:

855 mm (lowest height)  
935, 1015, 1095 mm

### Table-top

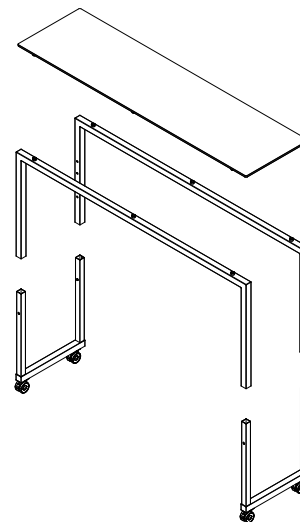
compact laminate 10 mm  
weight: 13,0 kg

### Alternative:

#### Table-top

safety glass 10 mm  
weight: 22,0 kg

assembly of individual parts without tools



### Item No.: 99109

Trolley for 4 x STAGE\_80\_M (maximum load)



weight: 75 kg [empty] / 191,4 kg [full]

## PLATE\_37

**Item No.: 31001**

[LxWxH]: 390 x 410 x 865 mm  
seat-height: 765 mm  
weight: 4,5 kg

**Base**

steel, powder-coated  
profile 15 x 15 mm  
weight: 3,5 kg

**Seat**

plywood 10 mm, bent, black  
weight: 1,0 kg



**MATERIAL+COLOR**

**basic**

base: 100,101  
seat: 279, 280

**option**

all available colors in chapter  
MATERIAL+COLOR

side view



back view



arrangement (3 x Stool\_PLATE\_37\_WHITE)



**Item No.: 99133**

Trolley for max. 10 x Stool\_PLATE\_37



weight: 35.3 lb [empty] / 134.5 lb [full]

## BY\_45

### Item No.: 27004

[LxWxH]: 450 x 450 x 610 mm  
weight: 10 kg

### Base

steel, powder-coated  
profile 30 x 30 mm, can be folded,  
frame-measures: 430 x 430 x 560 mm  
weight: 5 kg

### Table-top

safety glass 10 mm, 450 x 450 mm,  
to be fixed to the base,  
weight: 5 kg

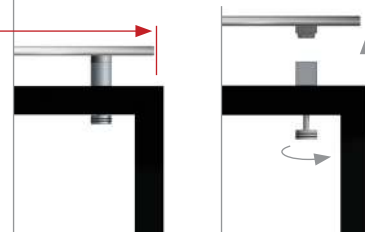
### Individual

other colors on request

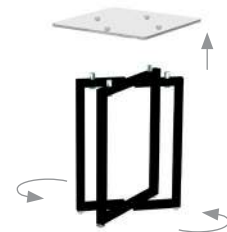
### Special FEATURE

Table-top as small  
as the width of the  
metal frame to fit  
in the trolley.  
(inside of the frame)

connection between table-top and base



folding-system



### Item No.: 99142

Trolley for 10 x side table\_BY\_45



weight: 20 kg [empty] / 120 kg [full]



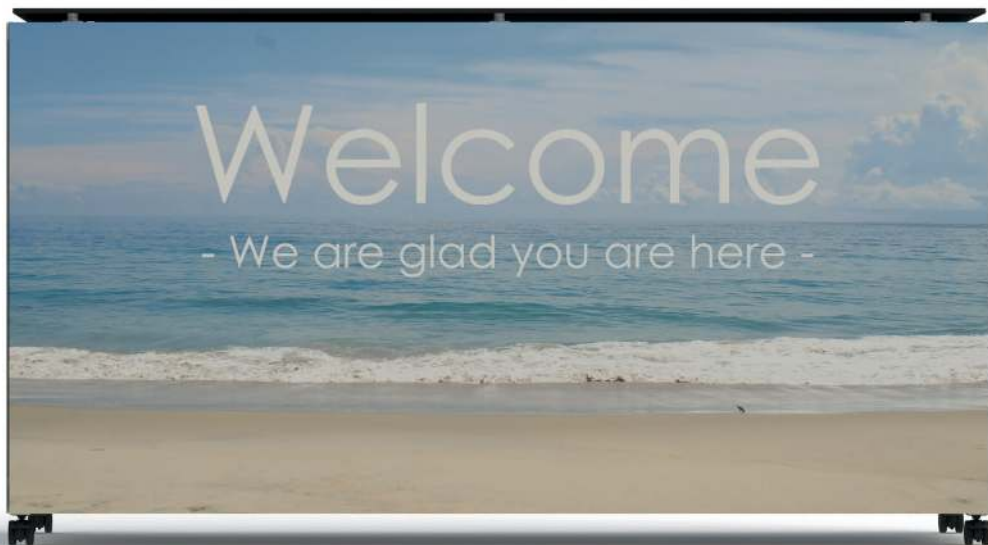
### MATERIAL+COLOR

#### basic

base: 100,101  
table-top: 300, 465, 466

#### option

all available colors in chapter  
MATERIAL+COLOR



## STAGE\_50\_L\_HOSPI\_DESK

### Item No.: 51030

[LxWxH]: 1960 x 500 x 1095 mm  
total weight: 32,1 kg

### Base

2 x main frame 11,6 kg  
2 x table leg 5,0 kg  
steel, powder-coated  
profile 40 x 40 mm, with height  
compensation

### 4 x Castor

diameter = 65 mm  
weight: 0,5 kg

### Height with BLINDS:

1095 mm (fix)

### Table-top

compact laminate 10 mm  
weight: 15,0 kg

### 1 x FRONTBLIND\_STAGE\_L\_108

#### Item No.: 38050

[LxWxH]: 1960 x 982 x 17 mm  
weight: 7,8 kg

### 2 x SIDEBLIND\_STAGE\_50\_108

#### Item No.: 38056

[LxWxH]: 500 x 982 x 17 mm  
weight: 2,0 kg

### OPTIONAL: SHELF\_47



### backside view



picture shows  
decoration items

### OPTIONAL: SHELF\_LOW



picture shows  
decoration items



### MATERIAL+COLOR

#### basic

base: 100,101  
table-top: 465, 466  
cover: 465, 466

#### option

all available colors in chapter  
MATERIAL+COLOR

surface (compact panel /  
high pressure laminate) can  
be used for sticking logos  
(optional application)

STAGE\_50\_BACKBAR\_160\_5



## STAGE\_50\_BACKBAR\_160\_5

### STAGE\_50\_BACKBAR\_160\_5

Item No.: 34101

[LxWxH]: 1600 x 500 x 1825 mm

weight: 99,3 kg

#### metal parts

steel, powder-coated

total weight: 39,8 kg

#### top and bottom shelf (2 x)

[LxWxH]: 1830 x 500 x 10 mm

weight: 11,8 kg

#### middle shelf (3 x)

[LxWxH]: 1510 x 310 x 40 mm

weight: 11,8 kg

#### 4 x Castor

diameter = 65 mm

weight: 0,5 kg



#### MATERIAL+COLOR

##### basic

base: 100,101

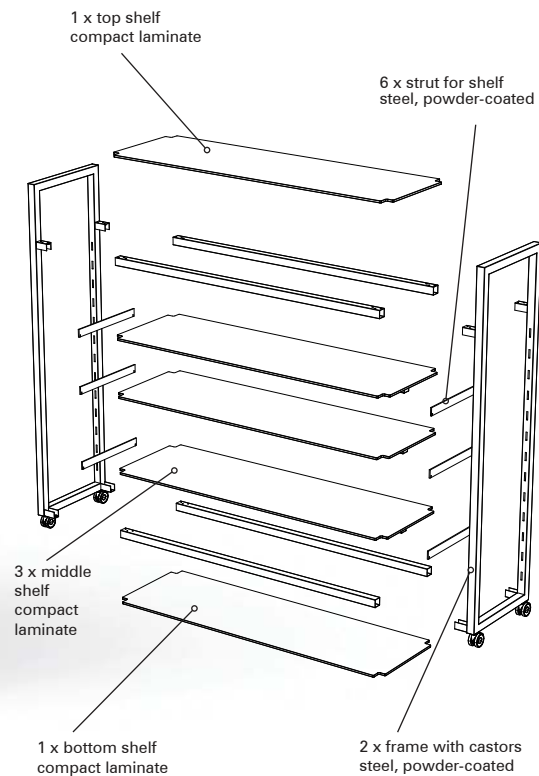
shelf: 465, 466

##### option

all available colors in chapter

MATERIAL+COLOR

#### overview of all single parts assembling by screws



STAGE\_50\_BACKBAR\_160\_4



## STAGE\_50\_BACKBAR\_160\_4

### STAGE\_50\_BACKBAR\_160\_4

Item No.: 34102

[LxWxH]: 1600 x 500 x 1825 mm

weight: 83,7 kg

#### metal parts

steel, powder-coated

total weight: 39,5 kg

#### top and bottom shelf (2 x)

[LxWxH]: 1590 x 500 x 12 mm

weight: 11,8 kg

#### middle shelf (2 x)

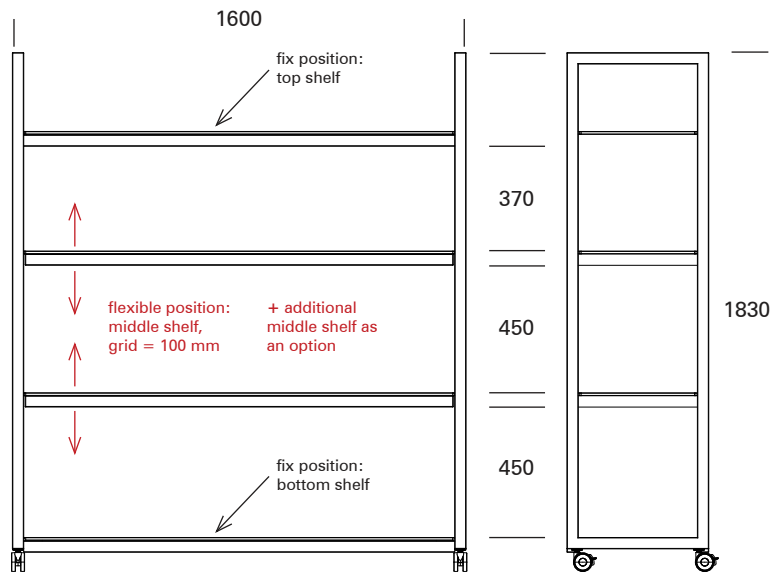
[LxWxH]: 1590 x 500 x 12 mm

weight: 11,8 kg

#### 4 x Castor

diameter = 65 mm

weight: 0,5 kg



#### MATERIAL+COLOR

##### basic

base: 100,101

shelf: 465, 466

##### option

all available colors in chapter

MATERIAL+COLOR

## + additional shelf option

### SHELF\_MIDDLE\_STAGE\_50\_BACKBAR\_160

Item No.: 50053

[LxWxH]: 1590 x 500 x 50 mm

weight: 15,6 kg

#### metal parts

steel, powder-coated

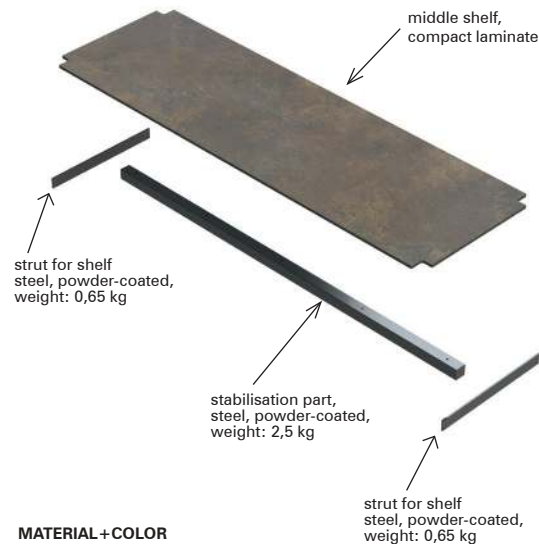
total weight: 3,8 kg

#### middle shelf

[LxWxH]: 1590 x 500 x 12 mm,

material: compact laminate

weight: 11,8 kg



#### MATERIAL+COLOR

##### basic

metal parts: 100,101

shelf: 465, 466

##### option

all available colors in chapter

MATERIAL+COLOR

## SIDEBLIND\_STAGE\_50\_BACKBAR\_160

**Item No.:** 38117

L: 500 x 1752 x 13 mm  
total weight: 3,6 kg

**Sideblind**

compact panel, 3 mm

**Metal part**

steel, powder-coated  
bended steel

**Connecting part**

magnet d = 20 mm glued on the  
sideblind



**MATERIAL+COLOR**

**basic**

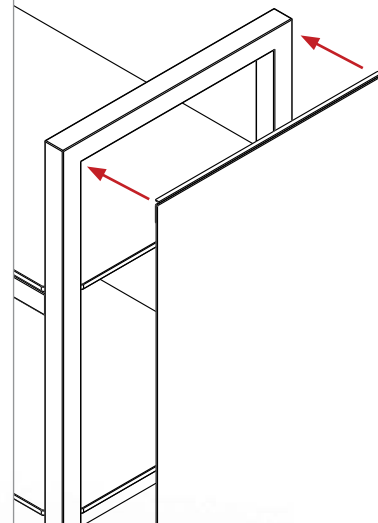
base: 100, 101  
sideblind: 465, 466

**option**

all available colors in chapter  
MATERIAL+COLOR

SIDEBLINDS are available in all decor options (MATERIAL+COLOR)

mounting the SIDEBLIND at the BACKBAR



glued magnet  
d = 20 mm

long hook (glued on the  
compact laminate panel)

## SIDEBLIND\_STAGE\_50\_BACKBAR\_160\_STRIPES\_COVERED

**Item No.: 38115**

L: 500 x 1752 x 17 mm  
total weight: 8,2 kg

**Sideblind**

steel, laser-cut decor „STRIPES”,  
powder-coated

**Cover**

polyester, decotex, color: white  
translucent (620)

**Connecting part**

magnet d = 15 mm glued on the  
sideblind



backside cover only  
available in color:  
620, 621

**MATERIAL+COLOR**

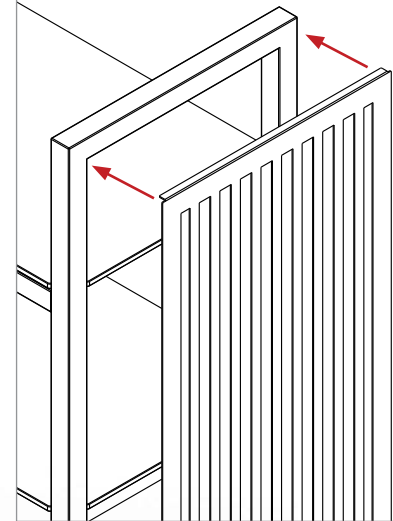
**basic**

base: 100, 101  
cover: 620, 621

**option**

all available colors in chapter  
**MATERIAL+COLOR**

mounting the SIDEBLIND at  
the BACKBAR



glued magnet  
d = 15 mm

long hook  
bended metal



## STAGE\_80\_S\_ELEMENTS\_BAR

**The Mobile Bar – a design experience, with an exclusive, modern design, flexibility and versatility.**

The STAGE system can also be used as a mobile bar. For this purpose, the STAGE\_80\_S table is equipped with one or two table frames from the ELEMENTS series.

One or two ice wells can be inserted into these ELEMENTS table frames. These ice wells are in turn covered with insert plates or lids. A standard table top in the size STAGE\_80\_XS can also be used instead of the ELEMENTS table frame. The table is then covered with a front panel and two side panels.

The top box is placed on the table surface as a privacy screen and for placing glasses. Alternatively, a STAGE\_50\_M table can be placed in front of it.

## STAGE\_80\_S\_ELEMENTS\_2\_BAR\_1

### Item No.: 20142

[LxWxH]: 1600 x 800 x 935 mm  
total weight: 46,6 kg

### Base

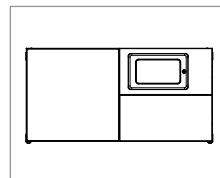
2 x main frame 9,0 kg  
2 x table leg 6,2 kg  
steel, powder-coated  
profile 40 x 40 mm, with height  
compensation

### Table frame ELEMENTS

[LxWxH]: 800 x 800 x 66 mm  
total weight: 7,7 kg

### Table-top

compact laminate 10 mm  
weight: 8,8 kg



optional position  
90° rotated frame



### MATERIAL+COLOR

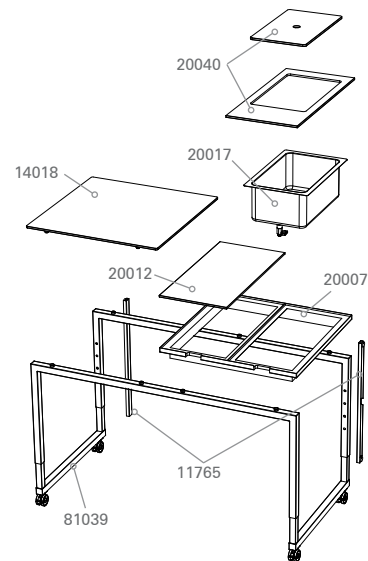
#### basic

base: 100, 101  
metal parts: 199  
table-top: 465, 466

#### option

all available colors in chapter  
MATERIAL+COLOR

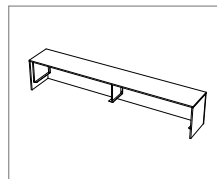
exploded view / all individual parts



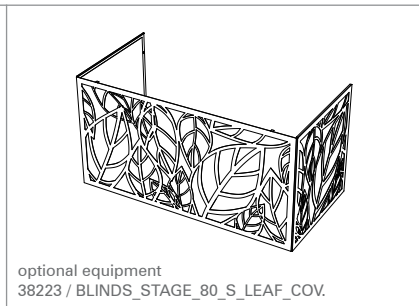
11765 / magnetic\_cable\_duct\_770mm  
14018 / table-top\_STAGE\_80\_XS  
20007 / table-frame\_STAGE\_80\_XS  
20012 / COMPACT\_TOP\_ELEMENTS  
20017 / ICE\_WELL\_ELEMENTS  
20040 / COMPACT\_TOP\_ELEMENTS\_ICE\_WELL  
81039 / base\_STAGE\_80\_S

# STAGE\_80\_S\_ELEMENTS\_2\_BAR\_1

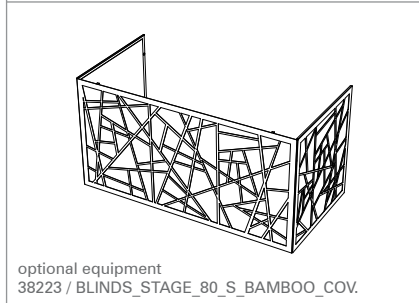
**additional equipment**  
to complete the bar setup



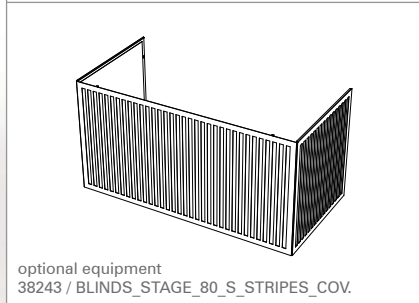
optional equipment  
14083 / TOP\_BOX



optional equipment  
38223 / BLINDS\_STAGE\_80\_S\_LEAF\_COV.



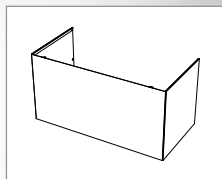
optional equipment  
38223 / BLINDS\_STAGE\_80\_S\_BAMBOO\_COV.



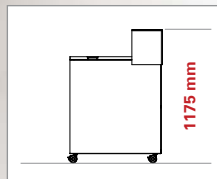
optional equipment  
38243 / BLINDS\_STAGE\_80\_S\_STRIPES\_COV.

table  
on castors

space for equipment  
(refrigerator/wastebin)



optional equipment  
38203 / BLINDS\_STAGE\_80\_S\_COMPACT\_PANEL



## STAGE\_80\_S\_ELEMENTS\_4\_BAR\_2

### Item No.: 20143

[LxWxH]: 1600 x 800 x 935 mm  
total weight: 57,6 kg

### Base

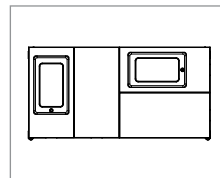
2 x main frame 9,0 kg  
2 x table leg 6,2 kg  
steel, powder-coated  
profile 40 x 40 mm, with height  
compensation

### Table frame ELEMENTS

[LxWxH]: 800 x 800 x 66 mm  
total weight: 2 x 7,7 kg

### COMPACT TOP ELEMENTS (20012)

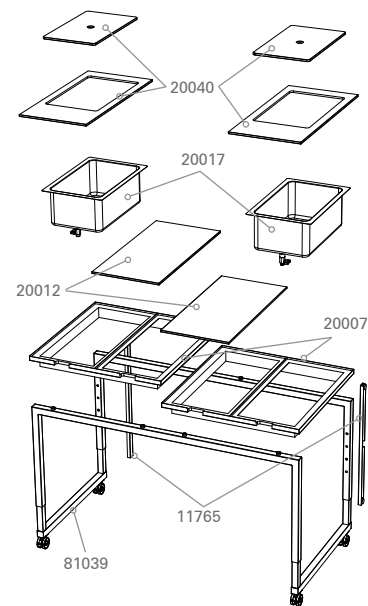
compact laminate 10 mm  
weight: 2 x 4,5 kg



optional position  
90° rotated frame



exploded view / all individual parts



### MATERIAL+COLOR

#### basic

base: 100, 101  
metal parts: 199  
table-top: 465, 466

#### option

all available colors in chapter  
MATERIAL+COLOR

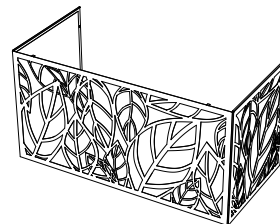
11765 / magnetic\_cable\_duct\_770mm  
20007 / table-frame\_STAGE\_80\_XS  
20012 / COMPACT\_TOP\_ELEMENTS  
20017 / ICE\_WELL\_ELEMENTS  
20040 / COMPACT\_TOP\_ELEMENTS\_ICE\_WELL  
81039 / base\_STAGE\_80\_S

## STAGE\_80\_S\_ELEMENTS\_4\_BAR\_2

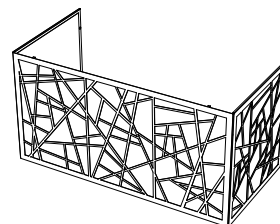
**additional equipment**  
to complete the bar setup



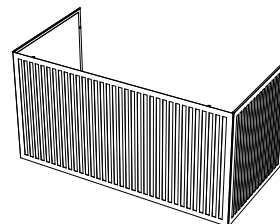
optional equipment  
51003 / STAGE\_50\_M



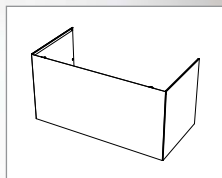
optional equipment  
38223 / BLINDS\_STAGE\_80\_S\_LEAF\_COV.



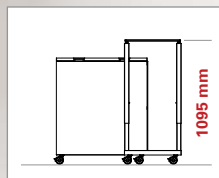
optional equipment  
38223 / BLINDS\_STAGE\_80\_S\_BAMBOO\_COV.



optional equipment  
38223 / BLINDS\_STAGE\_80\_S\_STRIPES\_COV.



optional equipment  
38203 / BLINDS\_STAGE\_80\_S\_COMPACT\_PANEL



## ELEMENTS BAR | additional equipment



## ELEMENTS BAR | additional equipment

### 1\_1\_GN\_ingredients\_container

Item No.: 12353

[LxWxH]: 545 x 345 x 250 mm

total weight: 5,3 kg



1 x built-in chafing-dish with lift-off lid, 2 x GN 1/2 support bar 325mm\_APS, 3 x container stainless steel 1/9 100\_RIEBER, 2 x container stainless steel 1/6 100\_RIEBER, 1 x container stainless steel 1/3 100\_RIEBER



optional space for storage  
SHELF\_47\_STAGE\_80\_XS (80087)





## SPEEDRAIL\_30

**Item No.:** 66107199100

[LxWxH]: 307 x 150 x 220 mm  
total weight: 1,5 kg

### Metal parts

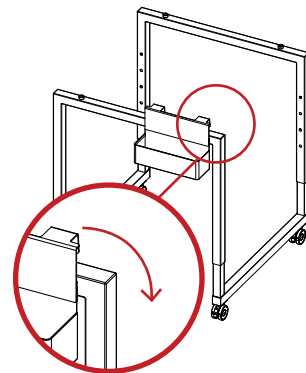
stainless steel, brushed surface

### Base

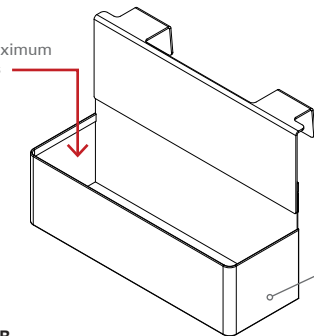
steel, powder-coated



mounting the SPEEDRAIL\_30 at the frame of a  
STAGE\_80\_XS table

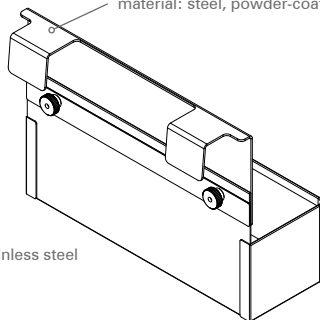


Space for a maximum  
of three bottles

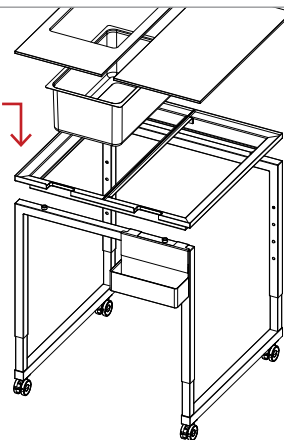


material: stainless steel

material: steel, powder-coated



place the  
additional  
elements



### MATERIAL+COLOR

#### basic

metal parts: 199  
base: 100, 101

#### option

all available colors in chapter  
MATERIAL+COLOR

# Service Furniture

Coffee Station | Cupboard | Rack



## STAGE\_80\_COFFEE\_STATION\_SQ

**Item No.:** 81017

[LxWxH]: 800 x 800 x 935 mm  
weight: 70,0 kg

**Base**

steel, powder-coated  
profile 40 x 40 mm, castors  
diameter = 75 mm (all with brake)

**Table-top**

compact laminate 10 mm, with one  
hole for disposal of coffee dregs



Designed for WMF  
coffee machine (1500S+  
and 5000S+), but can be  
customized also for other  
brands.

**MATERIAL+COLOR**

**basic**

base: 100, 101  
cupboard: 201, 202  
table-top: 465, 466

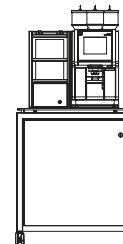
**option**

all available colors in chapter  
MATERIAL+COLOR

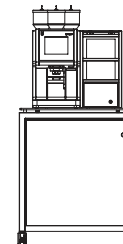
only available on castors  
diameter = 75 mm



setup 1 (standard)



setup 2



## STAGE\_80\_COFFEE\_STATION\_RE

### Item No.: 81018

[LxWxH]: 1200 x 800 x 935 mm  
weight: 80,0 kg

### Base

steel, powder-coated  
profile 40 x 40 mm, castors  
diameter = 75 mm (all with brake)

### Table-Top

compact laminate, 10 mm, with one  
hole for disposal of coffee dregs

Designed for WMF  
coffee machine (1500S+  
and 5000S+), but can be  
customized also for other  
brands.

### MATERIAL+COLOR

#### basic

base: 100,101  
cupboard: 201, 202  
table-top: 465, 466

#### option

all available colors in chapter  
MATERIAL+COLOR

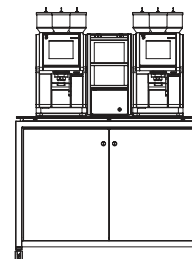
### Cupboard

melamine faced, chipboard 19 mm, two doors which can be locked

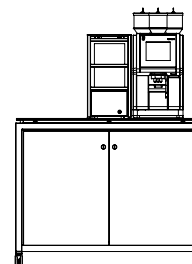


↑  
**only available on castors  
diameter = 75 mm**

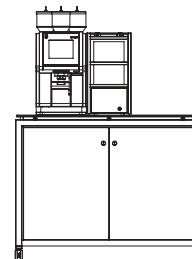
setup 1  
(standard)



setup 2



setup 3



## STAGE\_80\_CUPBOARD\_SQ

### Item No.: 81043

[LxWxH]: 800 x 800 x 935 mm  
weight: 70,0 kg

### Base

steel, powder-coated  
profile 40 x 40 mm, castors  
diameter = 75 mm (all with brake)

### Table-top

compact laminate, 10 mm  
weight: 8,8 kg

### Cupboard

melamine faced, chipboard 19 mm,  
one door which can be locked

The cupboard has two shelves  
inside. The height of the shelves is  
adjustable. One door can be locked.

Please define the door stop side  
when you place an order (where the  
hinges should be fixed).

top view  
hinge side has to be defined



Standard  
hinge left side



only available on castors  
diameter = 75 mm

two adjustable shelves inside



Alternative / Table-top  
safety glass 10 mm, underside black colored (307)



### MATERIAL+COLOR

#### basic

base: 100, 101  
cupboard: 201, 202  
table-top: 465, 466

#### option

all available colors in chapter  
MATERIAL+COLOR

## STAGE\_80\_CUPBOARD\_RE

### Item No.: 81082

[LxWxH]: 1200 x 800 x 935 mm  
weight: 80 kg

### Base

steel, powder-coated  
profile 40 x 40 mm, castors  
diameter=75 mm (all with brake)

### Table-top

compact panel, 10 mm  
weight: 10 kg

### Cupboard

melamine faced, chipboard 19 mm,  
two doors which can be locked

### Alternative / Table-top

safety glass 10 mm, underside black colored  
(307), weight: 23,0 kg



### MATERIAL+COLOR

#### basic

base: 100,101  
cupboard: 201, 202  
table-top: 465, 466

#### option

all available colors in chapter  
MATERIAL+COLOR

↑  
only available on castors  
diameter = 75 mm

The cupboard inside has two shelves in each side. The height of the shelves is adjustable.





## STAGE\_80\_XS\_RACK

### STAGE\_80\_XS\_RACK

Item No.: 81088

[LxWxH]: 800 x 800 x 935 mm

weight: 109,7 kg

#### Rack

chipboard with ABS edge  
material thickness: 38 mm

#### Table-top

Item No.: 14018

compact laminate 10 mm

weight: 8,8 kg

#### Castor (4 pieces)

Item No.: 11716

diameter = 65 mm

weight: 0,5 kg

#### Alternative:

#### Table-top

Item No.: 13006

safety glass 10 mm

weight: 15,0 kg

Table-top:  
compact panel

rack:  
chipboard



#### MATERIAL+COLOR

##### basic

rack: 201, 202

table-top: 465, 466

##### option

all available colors in chapter

MATERIAL+COLOR

#### SPECIAL FEATURES:

##### Magnetic „WOOD“

It is possible to close  
the rack with the VENTA  
SIDEBLIND\_80.

Frontside with three com-  
partments / backside with  
two compartments.



81088 / side with three compartments



81088 / side with two compartments





## RACK

The RACK in the dimension 50 x 80 cm is a perfect addition to the existing STAGE system. All plates, bowls, glasses and cutlery required at the buffet can be perfectly accommodated here.

The RACK has fixed shelves which are separated from each other by a central wall.

On one side there is only one shelf in the middle, while on the other side are two fixed shelves. Depending on the required height of use, the customer selects the suitable side. The open sides can be closed by VENTA Standard SIDEBLINDS so that the contents disappear behind them. The shelf walls are equipped with magnets so that the SIDEBLINDS can be attached to them.

The shelving system is available for a buffet depth of 80 cm in widths of 50 and 80 cm.

## STAGE\_80\_XS\_50\_RACK

### STAGE\_80\_XS\_50\_RACK

Item No.: 81089

[LxWxH]: 500 x 800 x 935 mm

weight: 66,6 kg

#### Rack

chipboard with ABS edge  
material thickness: 38 mm

#### Table-top

compact laminate 10 mm,  
weight: 8,8 kg

#### Castor

diameter = 65 mm  
weight: 0,5 kg

#### Alternative:

**Table-top**  
safety glass 10 mm

Table-top:  
compact panel

rack:  
chipboard



#### SPECIAL FEATURES:

Magnetic „WOOD“  
It is possible to close  
the rack with the VENTA  
SIDEBLIND\_50.

Frontside with three com-  
partments / backside with  
two compartments.



#### MATERIAL+COLOR

##### basic

rack: 201, 202

table-top: 465, 466

##### option

all available colors in chapter

MATERIAL+COLOR

81089 / side with three compartments



81089 / side with two compartments



# Equipment

Heavy Load Strut | Cable Duct | Rollerskate | Silicone Pads | Cables



## HEAVY\_LOAD\_STRUT\_STAGE

### HEAVY\_LOAD\_STRUT\_STAGE\_80\_V3

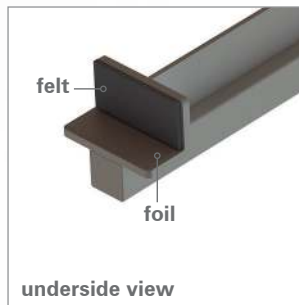
**Item No.: 15066**

[LxWxH]: 750 x 40 x 37 mm  
weight: 0,75 kg

**Material**

steel, profile 15 x 15 mm + 3 mm  
bended steel, powder-coated  
anthracite

additional item  
to place heavy  
equipment on the  
STAGE tables



**MATERIAL+COLOR**

**basic**

base: 100, 101

**option**

all available colors in chapter MATERIAL+COLOR

### HEAVY\_LOAD\_STRUT\_STAGE\_50\_V3

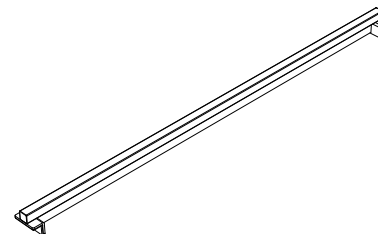
**Item No.: 15068**

[LxWxH]: 450 x 40 x 37 mm  
weight: 0,35 kg

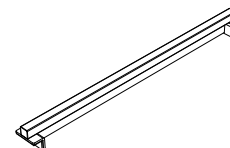
**Material**

steel, profile 15 x 15 mm + 3 mm  
bended steel, powder-coated  
anthracite

### 15066 - for all STAGE\_80 tables



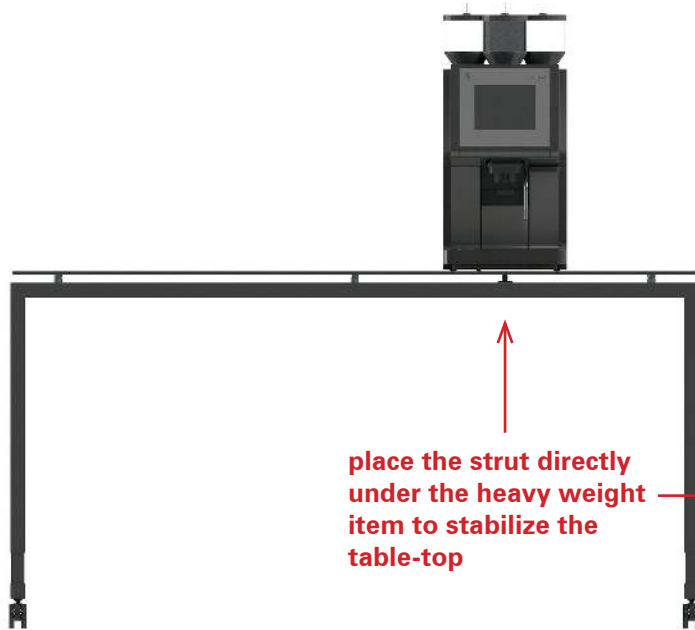
### 15068 - for all STAGE\_50 tables



## HEAVY\_LOAD\_STRUT\_STAGE

Use the additional strut in case of placing heavy equipment such as coffee machines, ham slicing machines or any other heavy equipment.

The recommended quantity of struts depends on the weight and the dimension of the items placed on the table.



**place the strut directly  
under the heavy weight  
item to stabilize the  
table-top**



## CABLE\_DUCT

**Item No.: 11765**

[LxWxH]: 770 x 35 x 21 mm  
weight: 0,965 kg

**Material**

steel, 1 mm, bended, powder-coated anthracite

**Item No.: 11766**

[LxWxH]: 610 x 35 x 21 mm  
weight: 0,85 kg

**Material**

steel, 1 mm, bended, powder-coated anthracite

**Item No.: 11767**

[LxWxH]: 400 x 35 x 21 mm  
weight: 0,75 kg

**Material**

steel, 1 mm, bended, powder-coated anthracite

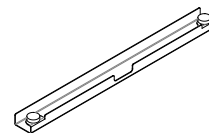
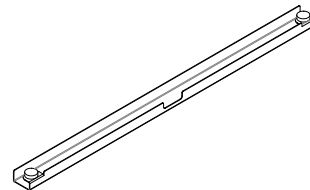
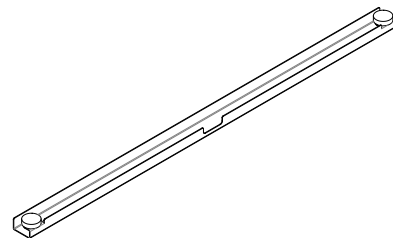
additional  
equipment to  
hide the cable

**MATERIAL+COLOR****basic**

base: 100, 101

**option**

all available colors in chapter MATERIAL+COLOR



## ROLLERSKATE\_QUADRO

**Item No.: 66007**

[LxWxH]: 600 x 600 x 98 mm  
weight: 2,4 kg

**Material**

steel, 2,5 mm, bended, powder-coated  
anthracite

**Item No.: 66017**

[LxWxH]: 600 x 600 x 113 mm  
weight: 2,5 kg

**Material**

steel, 2,5 mm, bended, powder-coated  
anthracite

**Item No.: 66018**

[LxWxH]: 600 x 600 x 123 mm  
weight: 2,8 kg

**Material**

steel, 2,5 mm, bended, powder-coated  
anthracite



additional  
equipment to  
move the table

castor  
Ø = 50 mm

**MATERIAL+COLOR****basic**

base: 100, 101

**option**

all available colors in chapter MATERIAL+COLOR

## SILICONE PAD

**Item No.: 66008**

[LxWxH]: Ø = 150 mm, height = 3 mm  
weight: 0,035 kg  
material: silicone, black



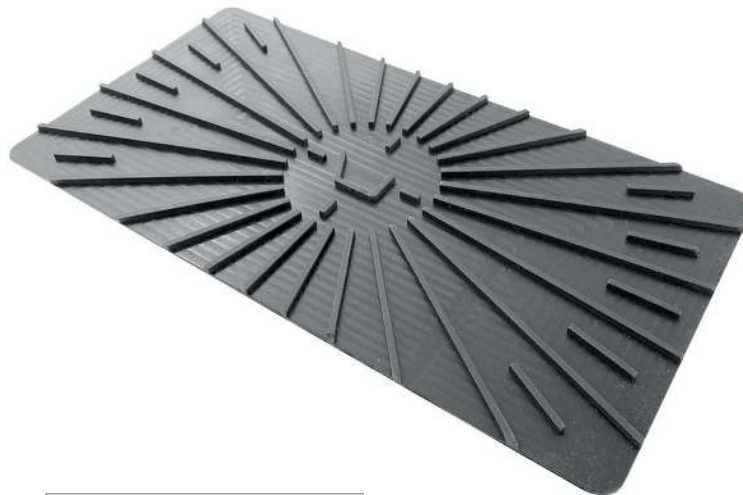
**Item No.: 66030**

[LxWxH]: Ø = 200 mm, height = 4,5 mm  
weight: 0,079 kg  
material: silicone, black



**Item No.: 66037**

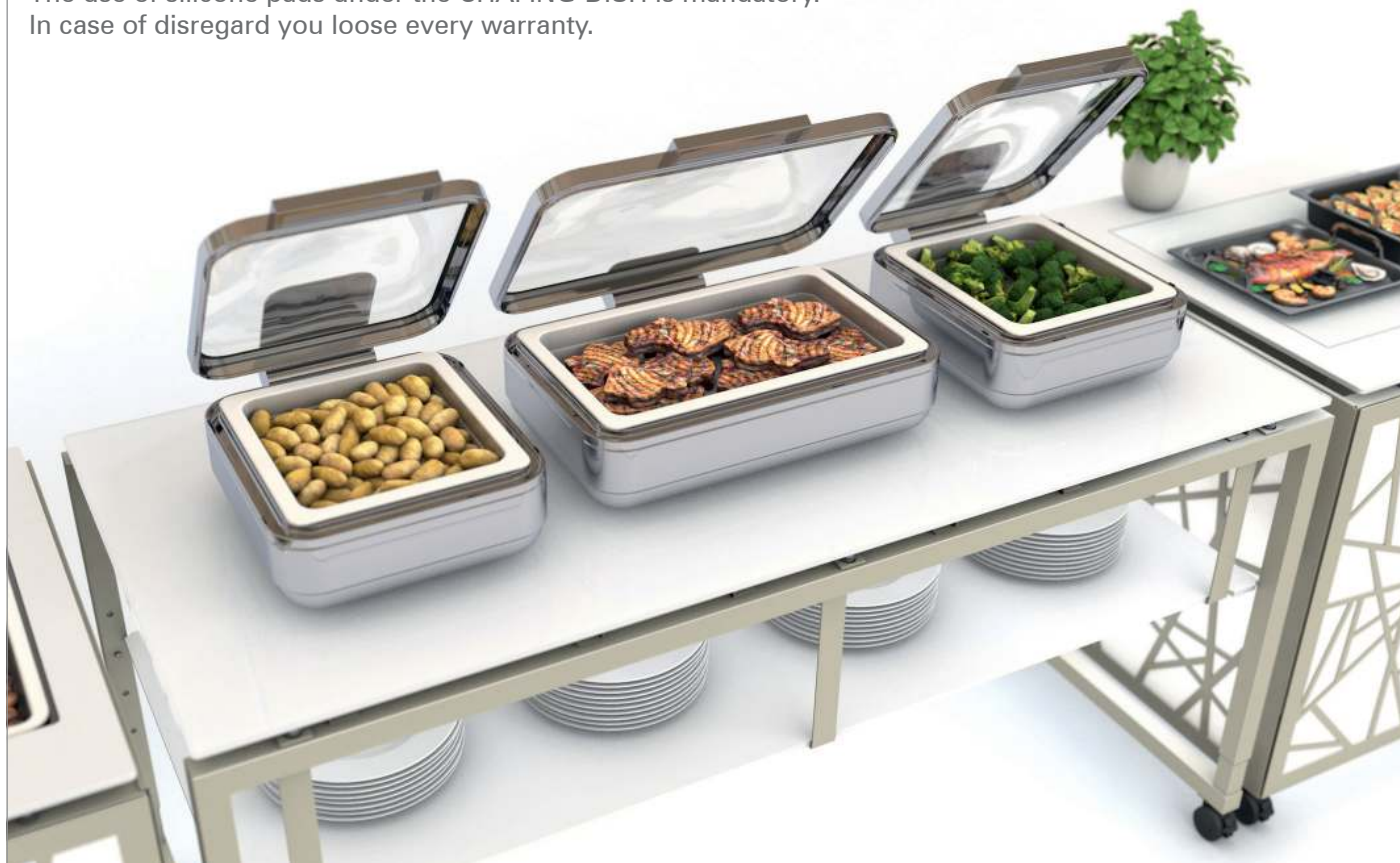
[LxWxH]: 315 x 168 mm, height = 5 mm  
weight: 0,184 kg  
material: silicone, black



equipment for  
glass-top tables  
and induction  
tables

## INDUCTION TABLE WITH CHAFING-DISH

The use of silicone pads under the CHAFING-DISH is mandatory.  
In case of disregard you loose every warranty.



## MAGNETIC PLUGBAR 400V (three phase)

**Item No.:** 11162

[LxWxH]: 490 x 43 x 52 mm

weight: 1,7 kg

plugbar for 6 x EU safety plugs (type F, 230V~50Hz)

cable: 5,0 m, H07RN-F 5G1,5 sw, metal housing, color: black

plug: CEE 16A 400V, rated current, maximum power: 3 x 16A / 3600 W

the housing is equipped with two magnets so that it can be attached anywhere on the table frame (steel)



only available for 400V

## PLUGBAR 230V (UK plug / overvoltage protection)

**Item No.:** 11163

[LxWxH]: 490 x 43 x 52 mm

weight: 1,5 kg

plugbar with overvoltage protection

(6.5kA + mains and frequency filter for 2 x EU safety plug (type F, 230V~50Hz)

cable: 5,0 m, H07RN-F 3G1,50mm<sup>2</sup>, plastic housing, color: black

plug: UK 13A 230V, rated current, maximum power: 1 x 13A / 3200 W,

the housing is equipped with two magnets so that it can be attached anywhere on the table frame (steel)



only available for 230V

## MAGNETIC PLUGBAR

**Item No.:** 11060

cable length: 5 m / plug type: F (EU)

weight: 1,0 kg



## EXTENSION CABLES

**Item No.:** 11064

cable length: 5 m / plug type: F (EU)

weight: 0,6 kg



only available for 230V

**Item No.:** 11061

cable length:

5 m / plug type:  
G (UK)

weight: 1,0 kg



**Item No.:** 11062

cable length:

5 m / plug type:  
J (CH)

weight: 1,0 kg



**Item No.:** 11065

cable length:

5 m / plug type:  
G (UK)

weight: 0,6 kg



**Item No.:** 11065

cable length:

5 m / plug type:  
J (CH)

weight: 0,6 kg

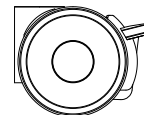


## CASTORS (spare parts)



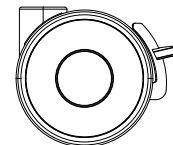
### Item No.: 11715

[LxWxH]: 50 x 47 x 66 mm / diameter = 50 mm,  
weight: 0,1 kg, material: housing polyamide,  
wheels: polyurethane



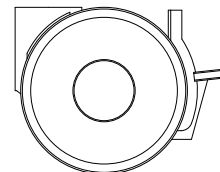
### Item No.: 11716

[LxWxH]: 80 x 45 x 65 mm / diameter = 65 mm,  
weight: 0,125 kg, material: housing polyamide,  
wheels: polyurethane



### Item No.: 11741

[LxWxH]: 95 x 55 x 75 mm / diameter = 75 mm,  
weight: 0,2 kg, material: housing polyamide,  
wheels: polyurethane



## PROTECTIVE\_COVER\_STAGE

**Item No.:** 78010666

[LxWxH]: 820 x 520 x 850 mm

weight: 2,5 kg

### Features

protective cover for assembled VENTA buffet tables

material: plastic fabric, inside padded with 10 mm foam and lined with nylon (110D)

2 x zipper on one narrow side

clear pocket in size DIN A4 for inserting information sheets

**additional equipment to protect the tables**

**available for all STAGE tables (80/50)**

### INDOOR USE

material: polyester

**inside padded with 10 mm foam**

VENTA-CODE: **666**

### OUTDOOR USE

material: polyester swela outguard

**waterproof, lightweight and foldable**

VENTA-CODE: **668**



## illumination by LED panels

This is the additional LED equipment for your buffet-table to create a unique and comfortable atmosphere for your guests.

Additionally you need only the VENTA decor blinds and the Shelf\_Low to place the lights onto.



## LED\_PANEL | SQ + RE

Item No.: 66033

[LxWxH]: 625 x 625 x 54 mm  
weight: 4,2 kg



**LED\_PANEL\_SQ**  
suitable for all **STAGE\_80** tables

only available for 230V

Item No.: 66034

[LxWxH]: 600 x 300 x 54 mm  
weight: 4,0 kg



**LED\_PANEL\_RE**  
suitable for all **STAGE\_50** tables

### Features

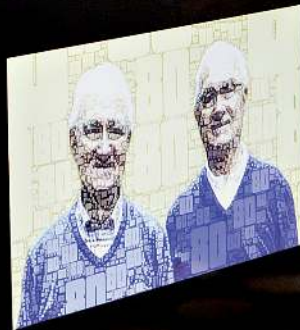
LED surface light for illuminating STAGE tables with BLINDS (COVER: Decotex, white, translucent)  
model number: RGB+CCT-36W, DC 24V,  
input: 100-240V, features: RGB mode,  
colour adjustable 2700-6500K, brightness  
dimnable, supplied with remote control

Available with various plug options:  
EU / UK / CH



# Lectern

exchangeable front display



# LECTERN\_3G

**Item No.:** 35001

[LxWxH]: 500 x 600 x 1200 mm  
weight: 30 kg

**Body**

acrylic glass, color: anthracite

**Front-board**

acrylic glass, transparent,  
600 x 1090 mm

**Base**

metal plate, 2 mm,  
color: anthracite, powder-coated

only available for 230V

delivery version:  
black front cover  
(exchangeable)

**Features:**

exchangeable front for printings  
LED reading lamp  
preparation for microphone  
soft cover for transport and storage  
rollerskate

all electrical properties use standard  
power supply of 230V/50Hz  
plug: schuko (CEE 7/4)



front view



height: 120 cm



cable inlet under  
the metal plate

## Features

**All VENTA furniture has special features that make our exclusive products distinctive and unique. Each individual product was designed as a foldable, stackable or modular system, so our high-quality furniture can always be securely stored, taking up very little space.**

A matching trolley system is available for all VENTA furniture items, where the table parts can be stacked individually and secured in place against one another.

All VENTA furniture is put together without the use of any tools and there are no parts that can get lost. The connecting elements between the table frame and table-top are always made of stainless steel and are produced using high-precision lathes. The consistent quality of our products is ensured through regular physical controls.

VENTA products are designed as foldable, stackable or modular systems, enabling our furniture to be stored securely and using very little space. We also offer additional equipment for many VENTA products to make them even more simple and convenient to manage. All foldable tables can be equipped with rollerskates, for example. This enables the buffet tables to be moved around the room quickly and easily without having to carry them or take them apart and put them together again.

## Features of VENTA products

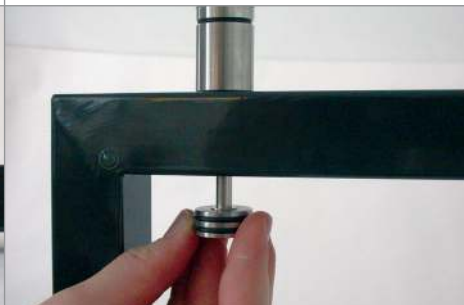
### feet-adjustment

The cocktail tables have three feet which are fixed. The fourth foot is adjustable. You can use your own foot to adjust easily the stability.



### glass-top mounting

The cocktail tables and most of the buffet tables have a special feature to fix the glass-top to the base. The screw is mounted undetachable on the base.



### glass-top quality

All glass-tops are produced as safety glass. In case of damage, they will break into small pieces to avoid any injury.



### trolleys for storage

For almost all VENTA products we offer trolleys to store the goods. You can store ten cocktail tables in a trolley in less than 0,6m<sup>2</sup>.



### foldable furniture

Nearly all VENTA products are foldable.



### stackable furniture

The stools can be stacked up to ten pieces.



# Material + Color

BASIC and OPTION

**Büchin Design offers a wide range of materials and colors in two categories BASIC and OPTION.**  
**The category LUXURY is only available for gold and silver colored glass tops.**

All VENTA items have a unique five-digit item number.

example: 23001 for the table model SET\_70

To define the material + color of the model, just add the three-digit material code.

example: 23001 + 100 (base frame = anthracite) + 300 (table-top = glass, transparent) + 300 (lower-tray = glass, transparent).

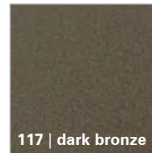
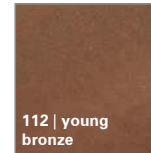
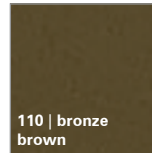
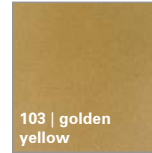


## Metal | color options

### BASIC | 2 colors



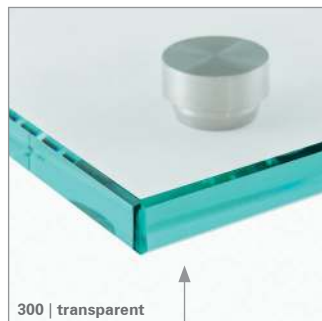
### OPTION | 13 colors



Additional Colors | select your color from IGP-range  
(number 58 / color code: IGP DURA face/pearl mica effect)

## Glass | color options

**BASIC** | only transparent glass (floatglass)



**OPTION** | 7 colors

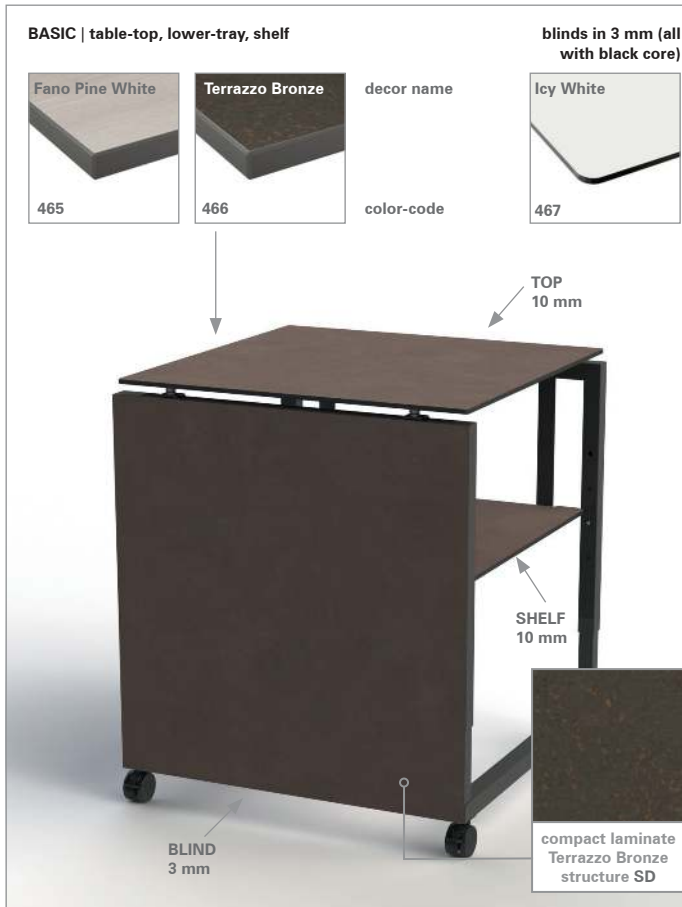


**OPTION** | choose any RAL color you like

**LUXURY** | two special metal colors



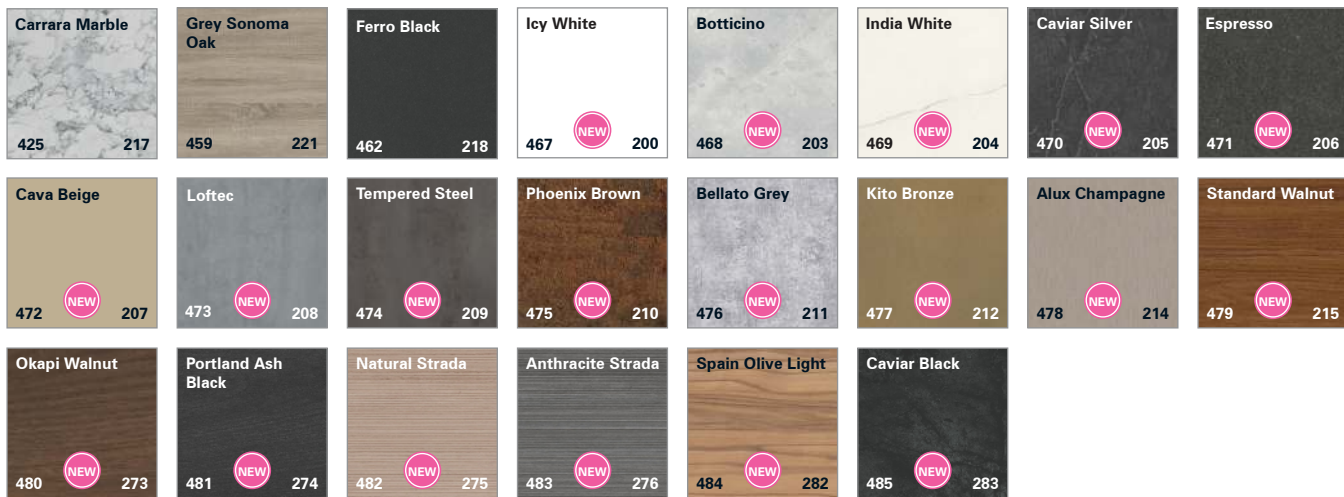
## Compact panel | decor (BASIC)



## Chipboard | decor (BASIC)



## Compact panel & Chipboard | decor (OPTION)



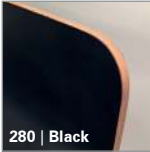
400-VENTA code for  
material compact panel  
(3 mm and 10 mm)

200-VENTA code for  
material chipboard  
(19 mm and 38 mm)

Larger pictures of the decors can be seen in  
our lookbook **MATERIAL + COLOR**.

# Plywood with HPL | color options

BASIC | 2 decor options



color-code



## Polyester | color options

### BASIC | decor variations



material name:  
DECOTEX

backside: white



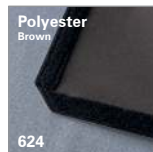
material name:  
MOON

backside: grey



material name:  
MOON, color print

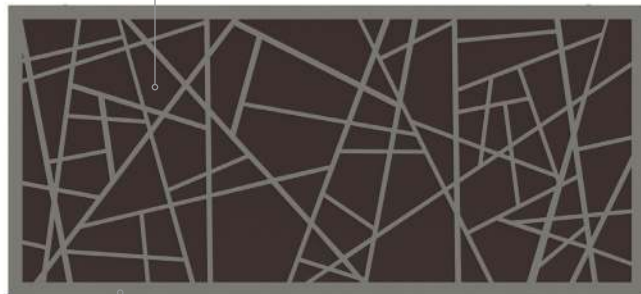
backside: grey



material name:  
MOON, color print

backside: grey

The back of the metal cover is covered with polyester fabric.  
example: MOON, color print: brown / VENTA-Code: 624



metal part in IGP-color  
example: champagne, VENTA-Code: 101



# Partner & Reseller

VENTA tables all around the world

## **VENTA products can be found all around the world in the showrooms of our partners.**

We cooperate with other manufacturers of high quality hotel equipment like **Frilich** for the breakfast stations and **Zieher** for exclusive tableware.

**WMF** has in total three showrooms equipped with VENTA buffet tables.  
Berlin, Birkenfeld, Hamburg

The **Hotelkompetenzzentrum** in Munich has also a selection of our tables.

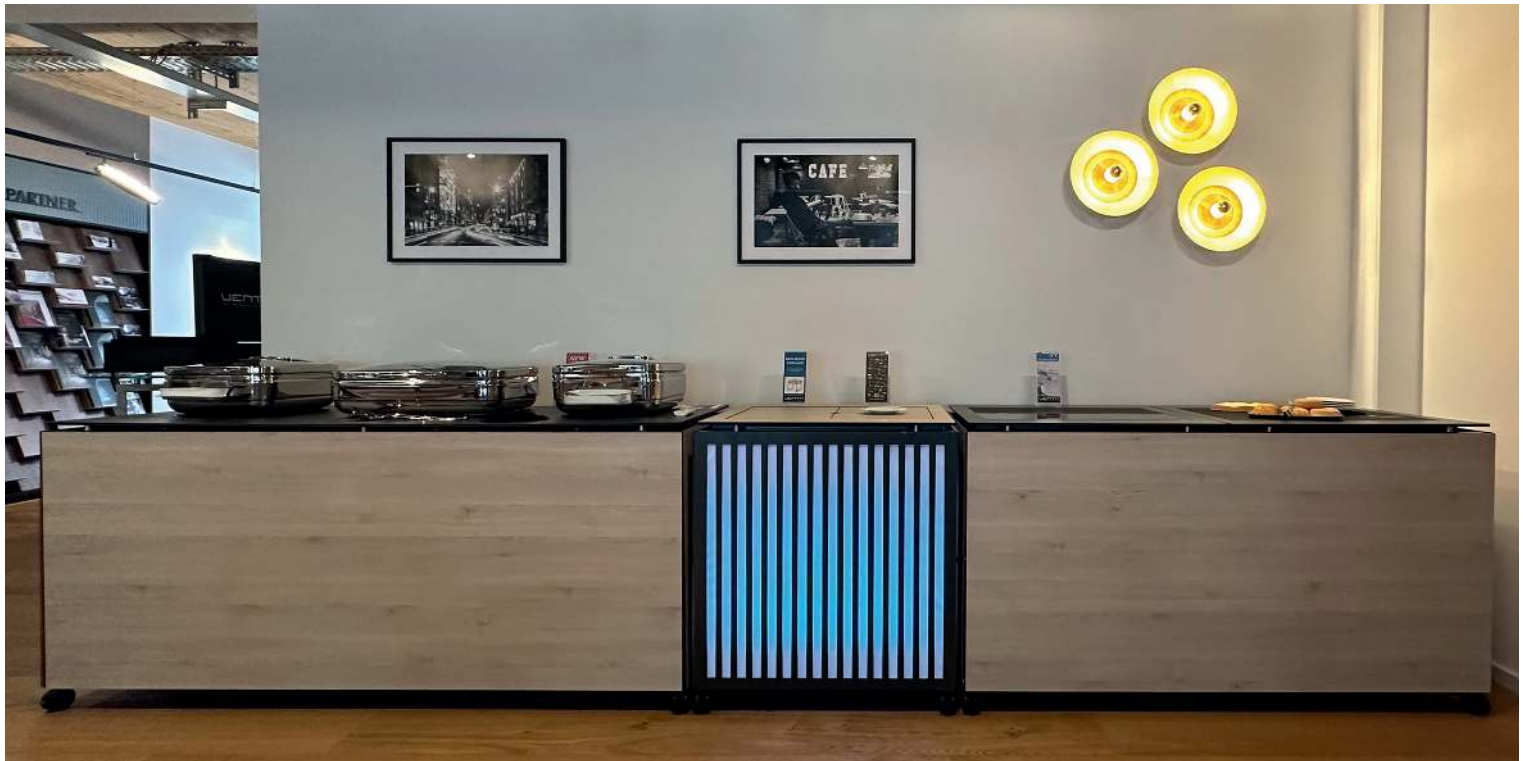
---

### **Distribution partner who are selling our products worldwide:**

**Germany / Autenrieb**  
**Switzerland / Cash Hôtel**  
**United Kingdom / Signature FSE**  
**Spain / Álvarez**  
**Hungary / Kende Gastro**  
**Czech Republic / Design Gastro**

**USA / BauscherHepp Inc.**  
**United Arab Emirates / RestofairRAK**  
**Singapore / Andy Mannhart Asia**  
**Qatar / Royal Hospitality**  
**Saudi Arabia / Port Stores**  
**Australia / td innovations**





## GERMANY | Munich

New equipment installed in June 2023.

STAGE\_80\_L with 4 x invisible induction and additional tables with COOL+HOT table-top-units.

Hotelkompetenzzentrum GmbH, Sonnenstraße 19, 85764 Oberschleißheim, GERMANY







## GERMANY | Düsseldorf

Full range of VENTA equipment on two floors in a wonderful showroom atmosphere. Take advantage of many years of experience of the Autenrieb sales team in consulting and sales.

Autenrieb Gastronomy Service International GmbH, Pappelweg 2, 40489 Düsseldorf, GERMANY







## USA | Raleigh, Chicago, New York City

VENTA equipment on stock in Raleigh, North Carolina. BauscherHepp is our sales partner for the United States of America.



BauscherHepp Inc., 6612 Fleetwood Dr STE 104, Raleigh, NC 27612, Unites States



Textura

Excellence since 1986 - Exclusive Design since 2006

## ZIEHER

The brand ZIEHER stands for innovative design in top class restaurants and the innovative gastronomy in over 90 countries.

Products made of different materials such as glass, stainless steel, solid wood, porcelain etc. and their combinations give birth to high-quality, modern tableware and buffet-systems.

This is why ZIEHER is internationally well known by its target audiences (executive floors, suites and lounges) as a modern company with the strength to create innovative products with appealing and emotional design - out of its own ideas.

### Skyline

The system allows a maximum of flexibility for the most exclusive buffet presentations. The spectacular look, which is remotely reminiscent of the silhouette of skyscrapers, as well as the extensive functionality, leave nothing to be desired with this unique system.



All Zieher products from the range of buffet, wine & dine can be found at  
[WWW.ZIEHER.COM](http://WWW.ZIEHER.COM)

STAGE\_80\_M/breakfast station





**FRILICH**  
®  
D



## Worldwide | References

VENTA has designed exclusive furniture for the hotel, events and catering industry throughout the world. Our clients are based in a wide range of locations.

You can find all our clients worldwide on our website under references:

<https://ventadesign.com/references-world-wide-leading-hotels/>



## Worldwide | References

7Pines Resort Ibiza  
7Pines Resort Sardinia  
Aberdeen Exhibition and Conference Centre  
Abesq Doha Hotel & Residences  
AC Hotel Berlin Humboldthain Park  
AC Hotel by Marriott Wuerzburg  
AC Hotel Paris Le Bourget Airport  
Accenture Innovation Centre London  
Accra Marriott Hotel  
Address Beach Resort Fujairah  
Address Harbor Point – Dubai  
Address Sky View  
Adina Apartment Hotel Frankfurt Neue Oper  
Adina Apartment Hotel Nuremberg  
ADNH Compass  
Al Baled Resort Salalah by Anantara  
Al Bustan Palace, A Ritz-Carlton Hotel  
Al Messila, a Luxury Collection Resort & Spa, Doha  
Alcron Hotel Prague  
Allianz Deutschland AG  
Allianz Forum  
Allianz Group Management Institut  
Aloft London Excel  
Aloft Palm Jumeirah  
Alois Dallmayr KG, Munich  
AlRayyan Hotel Doha, Curio Collection by Hilton  
Althoff Grandhotel Schloss Bensberg  
Ambassadori Hotel  
Amsterdam Marriott Hotel  
Andaz London Liverpool Street  
Andaz Prague  
Arbor City Hotel London  
ARCOTEL Rubin  
Arena Leipzig  
Armenia Marriott Hotel Yerevan  
ARTE Seminar- und Konferenzhotel  
Artizian Catering Limited  
Artyzen Singapore  
Assila Hotel Rocco Forte  
Association of German Pfandbrief Banks  
ATLANTIC Hotel Kiel  
ATLANTIC Hotel Münster  
Austrian Airlines  
Aviator Hotel Hampshire  
Axica Kongress- und Tagungszentrum  
b'mine hotel Düsseldorf  
B & N Service AG  
Baku Marriott Hotel Boulevard  
Banque de France  
Banyan Tree Doha At La Cigale Mushaireb  
Barceló Castillo Beach Resort  
Barceló Ravai  
BASF, Lounge Terrasse  
Bay La Sun Hotel and Marina  
Bayer Pharma AG  
Bayerische Staatsoper  
BCF ARENA  
Bel-Air Country Club  
BERGSON Kunstkraftwerk München  
Berlin Marriott Hotel  
Bertelsmann SE & Co. KGaA  
Big Marine Hotel  
Bistro EssART, Funke Mediengruppe  
b'mine hotel Düsseldorf  
Bowie House, Auberge Collection  
Bozsik Stadion, Budapest Honvéd FC  
Breidenbacher Hof, a Capella Hotel  
Bristol Marriott Hotel City Centre  
Bristol Marriott Royal Hotel  
Brussels Marriott Hotel Grand Place  
Budapest Marriott Hotel, Hungary  
Budda-Bar Hotel Prague  
Bulgari Hotel Beijing  
Bulgari Hotel Roma  
Bulgari Hotel Tokyo  
Bundespräsidialamt, Schloss Bellevue  
Bürgenstock Resort  
Calgary Marriott Downtown Hotel  
Camden Court Hotel  
Campus Hotel Hertenstein  
Canon Deutschland GmbH  
Capella Singapore  
Carlo IV  
CCD, The Convention Centre Dublin  
Celtic Manor Resort  
Ceuta Puerta de África  
Cidade de Goa - IHCL SeleQtions  
Circle at Paradisus Palma Real  
City of Dreams  
Club House Rwanda  
Cologne Marriott Hotel  
COMP-LET Party Service Kft.  
Concert Hall „Great Amber“  
Conrad Hamburg  
Conrad Seoul  
Copenhagen Marriott Hotel  
Coral Level at Iberostar Selection Cancun  
Corinthia Hotel London  
Courtyard Amsterdam Airport  
Courtyard Berlin City Center  
Courtyard Brno  
Courtyard Budapest City Center  
Courtyard Hamburg City  
Courtyard Marriott Batumi  
Courtyard Paris Gare de Lyon  
Courtyard Paris Roissy Charles de Gaulle Airport Hotel  
Courtyard Pilsen  
Courtyard Prague City  
Courtyard Riyadh Olaya  
Courtyard Sarajevo  
Courtyard St. Petersburg Vasilievsky  
Courtyard Stockholm Kungsholmen  
Courtyard Yerevan  
Crown Sydney  
Crowne Plaza Brussels Airport  
Crowne Plaza Copenhagen Towers  
Crowne Plaza Dusseldorf - Neuss  
Cummins Inc.  
Cunard Line  
D Maris Bay  
D-Resort Šibenik  
DAMAC Towers by Paramount Hotels & Resorts Dubai  
Danubius Health Spa Resort Margitsziget  
dbb forum berlin  
DCT Facilities Management  
DEINspeisesalon  
Delta Hotels Bessborough  
Delta Hotels by Marriott City Center Doha  
Delta Hotels Calgary Airport In-Terminal  
Der Hermannshof (Gästehaus)  
Deutsche Lufthansa AG  
Deutscher Sparkassen Verlag GmbH  
Deutsches Historisches Museum  
Disney Adventure  
Dods  
Doha Marriott Hotel  
Dorint Hotel An der Messe Köln  
Dorint Maison Messmer Baden-Baden  
DORMERO Hotel Berlin Ku'damm  
DoubleTree by Hilton Berlin Ku'damm  
DoubleTree by Hilton Bratislava  
DoubleTree by Hilton Novosibirsk  
Dream Cruises, Genting Dream  
Dubai World Trade Centre

## Worldwide | References

Durango Casino and Resort  
Durham Marriott Hotel Royal County  
Dusit Doha Hotel  
Eagle ski club  
Easthampstead Park  
Edgbaston Park Hotel  
EHL Hospitality Business School  
Eichberg  
Eldora AG  
Empire Riverside Hotel  
Enterprise Hotel  
ERGO Gourmet, ERGO Group AG  
EUREF-Campus Berlin  
Fairmont Golden Prague  
Fairmont Hotel Vier Jahreszeiten Hamburg  
Fairmont Quasar Istanbul  
Falkenstein Grand, Königstein  
Federal Foreign Office  
Fes Marriott Hotel Jnan Palace  
FIFA World Football Museum  
Fischhaus Hotel am Schaalsee  
Flesslers Lenggries, a Tribute Portfolio Hotel  
FONTANA Restaurant GmbH  
Four Seasons Hotel Doha  
Frankfurt Marriott Hotel  
Fraser Suites Doha  
Fraunhofer-Forum Berlin  
Freudenberg Real Estate GmbH  
Fulham Pier Hotel  
Gather & Gather  
Geneva Marriott Hotel  
Genting Dream  
German Embassy Kiev  
German Embassy Moscow  
German Embassy Skopje  
Giardino Ascona  
Gold Coast Convention and Exhibition Centre  
Golf & Sporthotel Wiesensee  
Golf- und Land-Club Berlin Wannsee e.V.  
Golfhotel Bodensee  
Gothal, Liptovská Osada  
Grace La Margna St. Moritz  
Gran Meliá Palacio de los Duques  
Gran Meliá Victoria  
Grand Elysée Hamburg  
Grand Heritage Doha Hotel  
Grand Hotel Bernardin  
Grand Hotel Cirta

Grand Hotel Des Bains Kempinski St. Moritz  
Grand Hotel Djibloho  
Grand Hotel Europe  
Grand Hotel Huis ter Duin  
Grand Hotel Kempinski Riga  
Grand Hotel Savoia  
Grand Hyatt Berlin  
Grand Hyatt Doha Hotel & Villas  
Grand Millennium Muscat  
Grand Rostov by Hyatt Regency  
Grosvenor House Suites  
Grosvenor House, a Luxury Collection Hotel, Dubai  
Grosvenor House, JW Marriott Hotel  
Gurten Park im Grünen  
Gut Brandlhof  
Güterbahnhof Neubrandenburg  
H10 Berlin Ku'damm  
H4 Hotel Berlin Alexanderplatz  
Hallenstadion Zürich  
Hamad Medical Corporation  
Hamburg Marriott Hotel  
Hamburg Süd  
Hamburger Feuerkasse  
HARPA Concert Hall  
HC Fribourg-Gottéron  
Heidelberg Marriott Hotel  
Henkel AG  
Hilton at St. George's Park, Burton upon Trent  
Hilton Barcelona  
Hilton Brisbane  
Hilton Budapest  
Hilton Dubai Palm Jumeirah  
Hilton Frankfurt Airport  
Hilton Garden Inn Mannheim  
Hilton Garden Inn Volgograd  
Hilton Geneva Hotel and Conference Centre  
Hilton Luxor Resort & Spa  
Hilton Mainz  
Hilton Prague  
Hilton Prague Old Town  
Hilton Salwa Beach Resort & Villas  
Hilton Sofia  
Hilton Tallinn Park  
Hilton Tangier Al Houara Resort & Spa  
Holiday Inn Edmonton S - Ellerslie Road  
Holiday Inn Express London - Limehouse  
Holiday Inn Leipzig - Günthersdorf  
Holiday Inn Lubeck

Holiday Inn Munich – City Centre  
Home Les Crêtes  
Hotel 47°  
Hotel Adlon Kempinski Berlin  
Hotel Alfonso XIII, A Luxury Collection Hotel, Sevilla  
Hotel am Steinplatz, Autograph Collection  
Hotel Arte, Seminar- und Konferenzhotel  
Hotel Arts  
Hotel Astoria  
Hotel Atlantic Hamburg  
Hotel Belvoir  
Hotel Berlin Central District  
Hotel Bristol, a Luxury Collection Hotel, Warsaw  
Hotel Camiral, PGA Catalunya Resorts  
Hotel Continental  
Hotel Crystal  
Hôtel des Horlogers  
Hôtel du Léman  
Hotel Fairmont Riyadh  
Hotel Goldenes Rad Ulm  
Hotel Hafen Hamburg  
Hotel Indigo Milan - Corso Monforte  
Hotel Indigo St. Petersburg, Tchaikovskogo  
Hotel Kloster Haydau  
Hotel Malbork by DeSilva  
Hotel Maximilian's  
Hotel Meilenstein  
Hotel Michaelis  
Hotel Neues Pastorat  
Hotel NH Berlin City Ost  
Hotel NH Collection Prague Carlo IV  
Hotel NH Düsseldorf City  
Hotel Passage  
Hotel RIU Plaza España  
Hotel Rosatsch, Pontesina  
Hotel Schweizerhof Luzern  
Hotel Sedartis  
Hotel St. Gotthard  
Hotel Vier Jahreszeiten Kempinski Munich  
Hungexpo, Budapest  
Hyatt Centric Gran Via Madrid  
Hyatt House Dusseldorf / Andreas Quarter  
Hyatt Place Taghazout Bay  
Hyatt Regency Casablanca  
Hyatt Regency Dar es Salaam, The Kilimanjaro  
Hyatt Regency London - The Churchill  
Hyatt Regency London Blackfriars  
Hyatt Regency Sochi

## Worldwide | References

Hyatt Regency Sofia  
Hyatt Regency Zadar  
Hyatt Regency Zurich Airport The Circle  
Iberostar Dominicana  
Iberostar Grand Hotel Bavaro  
Iberostar Grand Paraiso  
Iberostar Rose Hall Beach  
Iberostar Selection Cancún  
Imperial Riding School, Autograph Collection  
InterContinental Bahrain  
InterContinental Berlin  
InterContinental Bucharest  
InterContinental Doha - The City  
InterContinental Dusseldorf  
InterContinental Fujairah Resort  
InterContinental Ljubljana  
InterContinental Muscat  
InterContinental San Francisco  
InterContinental Tashkent  
InterContinental Vienna  
Internationale Stiftung Mozarteum  
Irvine Marriott  
Istanbul Marriott Hotel Sisli  
Johannesburg Marriott Melrose Arch Hotel  
JUFA Hotel Hamburg HafenCity  
Jumeirah Port Soller Hotel & Spa  
JW Marriott Absheron Baku  
JW Marriott Bucharest Grand Hotel  
JW Marriott Chandigarh  
JW Marriott Edmonton Ice District & Residences  
JW Marriott Grosvenor House London  
JW Marriott Hotel Ankara  
JW Marriott Hotel Cairo  
JW Marriott Hotel Frankfurt  
JW Marriott Hotel Hong Kong  
JW Marriott Hotel Singapore South Beach  
JW Marriott Hotel Tripoli  
JW Marriott Marquis Dubai  
JW Marriott parq Vancouver  
JW Marriott Venice Resort & Spa  
K Hotel Douala  
Kameha Suite Frankfurt  
Keight Hotel Opatija, Curio Collection by Hilton  
Kempinski Hotel Berchtesgaden  
Kempinski Hotel Frankfurt Gravenbruch  
Kempinski Mall of the Emirates

Kempinski Seychelles Resort Baie Lazare  
Kempinski The Boulevard Dubai  
Kigali Marriott Hotel  
Kimpton Aysla Mallorca  
Kings Palace Oman  
Klinik Hirslanden AG  
Klostergut Paradies  
Kongresshaus Zürich  
Kongresshotel Potsdam  
Krasnodar Marriott Hotel  
Kulmhotel St. Moritz  
Kultur- und Kongresszentrum Luzern  
Kursaal Bern  
La Ville Hotel & Suites CITY WALK, Dubai, Autogr. Col.  
Lancashire Cricket Club  
Lapita, Dubai Parks and Resorts, Autograph Collection  
Le Méridien Barcelona  
Le Méridien Cairo Airport  
Le Méridien Hamburg  
Le Méridien München  
Le Méridien Piccadilly  
Le Méridien Stuttgart  
Leipzig Marriott Hotel  
Leon's Place  
lewisford group  
Lindner Hotel & Residence Main Plaza  
Lindner Hotel & Sporting Club Wiesensee  
Lindner Hotel Am Michel  
Lindner Hotel City Plaza  
Linklaters LLP  
Lombard Odier  
London Bridge  
London Marriott Hotel Grosvenor Square  
London Marriott Hotel Kensington  
LondonHouse Chicago, Curio Collection by Hilton  
LOOM Coworking Madrid  
Ludwig-Erhard-Haus der IHK Berlin  
Lufthansa Seeheim GmbH  
Lusso Catering  
Luxembourg Marriott Hotel Alfa  
Macdonald Cardrona Hotel, Golf & Spa  
Madinat Jumeirah Resort  
Mainova AG  
Maison de Retraite du Petit-Saconnex  
Majid Al Futtaim  
Makkah Marriott Hotel Jabal Omar  
Mandarin Orchard Singapore  
Mandarin Oriental Barcelona

Mandarin Oriental, Vienna  
Mandarin Oriental, Washington D.C.  
Marina Bay Sands  
Maritim Hotel Düsseldorf  
Marriott Bloom Central  
Marriott Executive Apartments Addis Ababa  
Marriott Hotel Al Forsan, Abu Dhabi  
Marsa Malaz Kempinski, The Pearl - Doha  
McAllen Country Club  
ME Dubai  
Me Ibiza  
Media One Hotel Dubai  
Meliá Alicante  
Meliá Barajas  
Meliá Barcelona Sarrià  
Meliá Bilbao  
Meliá Castilla  
Meliá Costa del Sol  
Meliá Frankfurt City  
Meliá Palma Bay  
Meliá Sevilla  
Meliá Sitges  
Meliá Vienna  
Messe Berlin, CityCube Berlin  
METZLER, B. Metzler seel. Sohn & Co. Holding AG  
Milan Suite Hotel  
Milbank  
Millennium  
Millennium Place Mirdif  
Millennium Stadium (Principality Stadium)  
Miranda de Pedralbes  
Mishcon de Reya  
Mohammed VI Polytechnic University  
Mohammed V-University  
Moment Cuisine  
Mondrian Doha Hotel  
Moor House, London Wall  
Mövenpick Hotel Amsterdam City Centre  
Mövenpick Hotel Basel  
Mövenpick Hotel Doha  
MOXY Vienna Airport  
Müller-Zeiner Industrieverpackungen GmbH  
Munich Marriott Hotel  
Munich Marriott Hotel City West  
Neuro Campus Hotel DAS MORGEN  
New Century Hotel Frankfurt Offenbach  
Niepce Paris Hotel, Curio Collection by Hilton  
Nikki Beach Resort & Spa Dubai

## Worldwide | References

Nikki Beach Resort & Spa Porto Heli  
Nobu Hotel Barcelona  
Normafa Rendezvényház Budapest  
Novosibirsk Marriott Hotel  
Novotel Duesseldorf City West (Seestern) Hotel  
Novotel Wien Hauptbahnhof Hotel  
NRW.Bank  
Nujuma, a Ritz-Carlton Reserve  
NYX Esperia Palace Athens  
O2 universum  
Olympic Sky Restauracija  
O.N.E. Hospitality Group  
OTTO Group  
Original Sokos Hotel Vaakuna  
Palais Hansen Kempinski Vienna  
Palau de Congressos de Catalunya  
Palazzo Versace Dubai  
Paris Marriott Champs Elysees Hotel  
Paris Marriott Charles de Gaulle Airport Hotel  
Paris Marriott Rive Gauche Hotel & Conference Center  
Park Hotel Vitznau  
Park Hyatt Mallorca  
Park Hyatt Marrakech  
Park Hyatt Paris-Vendôme  
Park Hyatt Zurich  
Park Inn by Radisson Amsterdam City West  
Park Inn by Radisson Poznan  
Park Inn by Radisson Vilnius Airport Hotel & Conf. Centre  
Pathé Theater Amersfoort  
Patinoire de Malley  
Pilsner Urquell International  
Platzl Hotel  
Powerscourt Hotel Resort & Spa  
Prague Marriott Hotel  
Protea Hotel by Marriott Ikeja Select  
Pullman Berlin Schweizerhof  
PUR Hurden  
Puskás Aréna  
PWC PricewaterhouseCoopers  
QO Amsterdam  
Radisson Blu Béke Hotel, Budapest  
Radisson Blu Hotel & Residences, Zakopane  
Radisson Blu Hotel Reussen, Andermatt  
Radisson Blu Hotel, Basel  
Radisson Blu Hotel, Frankfurt  
Radisson Blu Hotel, Hamburg  
Radisson Blu Hotel, Hannover  
Radisson Blu Hotel, Lucerne

Radisson Blu Hotel, Prague  
Radisson Blu Hotel, Zurich Airport  
Radisson Blu Royal Viking Hotel, Stockholm  
Radisson Blu Schwarzer Bock Hotel, Wiesbaden  
Radisson Collection Hotel, Berlin  
Radisson Collection Hotel, Magdalena Plaza Sevilla  
Radisson Middleburg, South Africa  
RAMADA Hotel Berlin Alexanderplatz  
RCP North, William Henry Duncan Building  
Regent Warsaw Hotel  
Renaissance Amsterdam Hotel  
Renaissance Barcelona Hotel  
Renaissance Downtown Hotel, Dubai  
Renaissance Hamburg Hotel  
Renaissance Lagos Ikeja Hotel  
Renaissance Minsk Hotel  
Renaissance Paris La Defense Hotel  
Renaissance Paris Le Parc Trocadero Hotel  
Renaissance Paris République Hotel  
Renaissance Paris Vendome Hotel  
Renaissance Porto Lapa Hotel  
Renaissance Warsaw Airport Hotel  
Renaissance Zurich Tower Hotel  
Résidence Claire-Fontaine  
Résidence Plantzette - EMS  
Resort Mark Brandenburg  
Resort Schwielowsee  
Restaurant Lebenswert  
Revo  
Rheinhotel Dreesen  
Rixos Borovoe Hotel  
Robinson Club Fleesensee  
ROOMERS Hotel Munich  
Rosewood Abu Dhabi  
Rosewood Yangon  
Rotterdam Marriott Hotel  
Royal Academy of Engineering  
Royal Canberra Golf Club  
Royal College of Physicians  
Royal Garden Hotel, London  
Royal Hideaway Corales Suites  
Royal Palace Riyadh  
Royal Savoy Lausanne  
Saudi Aramco  
Scandic Berlin Kurfürstendamm  
Scandic Berlin Potsdamer Platz  
Scandic Frankfurt Hafenpark  
Scandic Frankfurt Museumsufer

Scandic Hamburg Emporio  
Scandic Nürnberg Central  
Scenic Eclipse II  
Schloss Bellevue  
Schloss Benkhausen  
Schloss Fuschl Resort & Spa  
Searcys at the Gherkin  
Seehotel Zarentin  
Seminarhotel Bocken  
Setif Algeria Courtyard by Marriott  
Seven Visions The Dvin Hotel & Places  
Shangri-La Hotel Doha  
Shaza Doha  
Sheraton Astana Hotel  
Sheraton Berlin Grand Hotel Esplanade  
Sheraton Bratislava Hotel  
Sheraton Frankfurt Airport Hotel and Conference Center  
Sheraton Frankfurt Congress Hotel  
Sheraton Grand Doha Resort & Convention Hotel  
Sheraton Grand Hotel & Spa, Edinburgh  
Sheraton Heathrow Hotel  
Sheraton Munich Arabellapark Hotel  
Sheraton Nouakchott Hotel  
Sheraton Nur-Sultan Hotel  
Sheraton Oman  
Sheraton Riyadh Hotel & Towers  
Sheraton Sopot Hotel  
Sheraton Towers Singapore  
Sheraton Warsaw Hotel  
Siau Ibiza Hotel  
SIDE Hotel  
Singapore Airlines  
Skopje Marriott Hotel  
SLS Dubai Hotel & Residences  
Sofitel Frankfurt Opera  
Sofitel Hotel München Bayerpost  
Sofitel Legend The Grand Amsterdam  
Sopwell House  
Sportgastro AG  
St. Pancras Renaissance London  
Staatlicher Hofkeller  
Stademos Mediterranean Beach Hotel  
Stadtsparkasse Düsseldorf  
Starling Hotel Geneva  
Steigenberger Airport Hotel, Frankfurt  
Steigenberger Bellerive au Lac  
Steigenberger Frankfurter Hof  
Steigenberger Graf Zeppelin

## Worldwide | References

Steigenberger Hotel Am Kanzleramt, Berlin  
Steigenberger Hotel Bad Homburg  
Steigenberger Hotel de Saxe  
Steigenberger Hotel Hamburg  
Steigenberger Icon Parkhotel Düsseldorf  
Studierendenwerk Stuttgart  
Stuttgart Marriott Hotel Sindelfingen  
Sugar Beach, a Viceroy Resort  
Swiss Life Karriere-Campus Hannover  
Swissôtel The Bosphorus  
Swissôtel Wellness Resort Alatau Almaty  
Symphony Style Hotel, Kuwait  
Taj Dubai  
Taj Exotica Resort & Spa, The Palm, Dubai  
Taj Mahal, New Delhi  
Taj Palace New Delhi, India  
Taj Resort & Convention Centre, Goa  
Taj Skyline, Ahmedabad  
Taj Wellington Mews, Chennai  
Taylor Wessing  
Tennis-Club 1899 e. v. Blau-Weiss  
The Academy Of Medical Sciences  
The Address Downtown Dubai  
The Address Dubai Mall  
The Address Dubai Marina  
The Address Montgomerie Dubai  
The Alexander, a Luxury Collection Hotel, Yerevan  
The Alpina Gstaad  
The American Club, Singapore  
The Balmoral Hotel Edinburgh, UK  
THE BVLGARI HOTEL LONDON  
The Capitol Kempinski Hotel Singapore  
The Carlton Hotel  
The Charles Hotel  
The Dunloe Hotel & Gardens  
The Europe Hotel & Resort  
THE FONTENAY Hamburg  
The H Dubai  
The Hotel Maria  
The ICC Birmingham, UK  
The ICON Hotel & Lounge  
The J.M. Smucker Co.  
The Joule  
The Lake Spa Resort  
The Landmark London  
The Langham, London  
The Lapa Park Hotel  
The London EDITION  
The Ned  
The Nile Ritz-Carlton, Cairo  
The Parkgate Hotel  
The President Hotel Prague  
The Ritz-Carlton Riyadh, Saudi Arabia  
The Ritz-Carlton, Almaty  
The Ritz-Carlton, Astana  
The Ritz-Carlton, Baku  
The Ritz-Carlton, Berlin  
The Ritz-Carlton, Budapest  
The Ritz-Carlton, Doha  
The Ritz-Carlton, Dubai  
The Ritz-Carlton, Herzliya  
The Ritz-Carlton, Macau  
The Ritz-Carlton, Moscow  
The Ritz-Carlton, Naples  
The Ritz-Carlton, Riyadh  
The Ritz-Carlton, St. Thomas  
The Ritz-Carlton, Vienna  
The Ritz-Carlton, Washington, D.C.  
The Ritz-Carlton, Wolfsburg  
The Royal Hashemite Court  
The Savoy  
The St. Regis Cairo  
The St. Regis Doha  
The St. Regis Macao, Cotai Central  
The St. Regis Red Sea Resort  
The Torch Doha  
The Westin Grand Frankfurt  
The Westin Hamburg  
Tiger & Palmen, Palmengarten Gesellschaftshaus  
Tirana Marriott Hotel  
Trans World Hotel Auefeld, Hann. Münden  
Trans World Hotel Columbus  
Trans World Hotel Kranichhöhe, Much  
Traube Tonbach  
Union Investment  
Vienna House Andel's Prague  
Vienna House Andel's Berlin  
Vienna Marriott Hotel  
VILA VITA Pannonia  
Villa Hammerschmidt  
Villa Wellenrausch Lübeck  
Volksbank Ruhr Mitte eG  
Voronezh Marriott  
Voronezh Marriott  
W Doha Hotel & Residences  
W Hotel Amman  
W Hotel Amsterdam  
W Melbourne  
W-Ray Construction Pte Ltd  
Waldhaus Flims, Alpine Grand Hotel & Spa  
Warner Hotels - Holme Lacy House  
Warsaw Marriott Hotel  
Wasserturm Hotel Cologne Curio Collection  
Wellness Hotel Vista  
Wequasset Resort & Golf Club  
Widder Hotel  
Winton Capital Management Limited  
W-Ray Construction Pte Ltd  
Wychmere Beach Club  
Wyndham Garden Lahnstein Koblenz  
Wyndham Grand Regency Doha  
Wyndham Stuttgart Airport Messe  
Yotel Glasgow  
Zonar Zagreb  
Zurich Insurance Group  
Zurich Marriott Hotel  
Zwei, Mannheim

## Worldwide | References | Cities

Aberdeen	Broadbeach, Queensland	Glasgow	London
Abu Dhabi	Brussels	Grimisuat	Los Angeles
Abu Samra	Bucharest	Gstaad	Lübeck
Accra	Budapest	Gütersloh	Lucerne
Addis Ababa	Burton upon Trent	Hamburg	Ludwigshafen
Agadir	Cairo	Hannover	Luxemburg
Ahmedabad	Caldes de Malavella, Girona	Harwich	Luxor
Al Aqah, Fujairah	Calgary	HarwichPort, MA	Macau
Al Baleed Salalah	Cancún	Heidelberg	Madrid
Alicante	Canyamel, Mallorca	Heiligenhaus	Mainz
Almaty	Cardiff	Helsinki	Makkah
Amersfoort	Casablanca	Hereford	Málaga
Amman	Castillo Caleta de Fuste, Las Palmas	Hertfordshire	Malbork
Amsterdam	Ceuta	Herzliya	Mallorca
Amsterdam	Chandigarh	Hong Kong	Manchester
Andermatt	Chicago, Illinois	Horgen	Manila
Ankara	Cologne	Hurden	Mannheim
Aschaffenburg	Columbus, Indianapolis	Hurst, Berkshireshire	Marrmaris, Mugla
Ascona	Constantine	Ibiza	Marrakech
Astana	Copenhagen	Ibiza, Santa Eulalia del Rio	McAllen, Texas
Athen	Dallas	Ikeja GRA Lagos	Melbourne
Augsburg	Dar es Salaam	Ikeja, Lagos	Middleburg
Bad Homburg	Dharahn	Ilfracombe	Milano
Baden-Baden	Djibloho	Irvine	Minsk
Bahrain	Doha	Istanbul	Mirdif, Dubai
Baie Lazare Mahé Island	Dolní Morava	Jeddah	Montego Bay
Baku	Douala	Jerewan	Montreux
Barcelona	Dresden	Johannesburg	Morschen
Basel	Dubai	Jongny s/ Vevey, Vaud	Moscow
Bassecourt	Dublin	Kiel	Much
Batumi	Durham	Kiev	Munich
Beaufort, Killarney, Co. Kerry	Dusseldorf	Kigali	Münster
Beijing	Edinburgh	Killarney	Muscat
Ben Guerir	Edmonton	Königstein, Frankfurt	Naples, Florida
Berkshire	EL Sittard	Konstanz	Neubrandenburg
Benkhausem	Essen	Krasnodar	Neuruppin
Berchtesgaden	Farnborough, Hampshire	Kuwait City	Neuss
Berg	Fes	Lahnstein, Rhineland-Palatinate	New Delhi
Bergisch Gladbach, Cologne	Fleesensee, Göhren-Lebbin	Langenthal	Noordwijk
Berlin	Flims	Lausanne	Nouakchott
Bern	Fort Worth, TX	Le Brassus	Novosibirsk
Bilbao	Frankfurt	Leipzig	Novosibirsk
Birmingham	Fribourg	Lenggries	Nuremberg
Bonn	Fujairah	Liepaja	Nur-Sultan
Bratislava	Fuschlsee-Salzburg	Limassol	Obbürgen/Lucerne
Brisbane	Gelsenkirchen	Liptovská Osada	Oberwaltersdorf
Bristol	Geneva	Liverpool	Olten
Brno	Genova	Ljubljana	Opatija

## Worldwide | References | Cities

Orrville, Ohio  
Oxford  
Pamhagen  
Palma de Mallorca  
Panaji, Goa  
Paris  
Peebles  
Pilsen  
Pontresina  
Port Soller, Mallorca  
Porto  
Porto Heli  
Portorož  
Potsdam  
Poznan  
Prague  
Prague  
Prilly  
Punta Cana  
Rabat  
Red Sea Resort  
Reykjavik  
Riga  
Riviera Maya  
Riyadh  
Rome  
Rostov-on-Don, Rostov Oblast  
Rotterdam  
Saalfelden  
Salzburg  
San Francisco  
Sarajevo  
Sardinia  
Saskatchewan  
Schlatt  
Seeheim  
Seengen  
Seligenstadt  
Seoul  
Setif  
Seville  
Shchuchinsk, Akmola region  
Šibenik  
Sierre  
Singapore  
Skopje  
Sochi

Sofia  
Sopot  
Soufriere, Saint Lucia  
Sovata  
Spring Valley  
Springe-Völkxen  
St. Moritz  
St. Petersburg  
St. Thomas, U.S. Virgin Islands  
Stockholm  
Stuttgart  
Sydney  
Tallinn  
Tangier  
Tashkent  
Tbilisi  
Tenerife  
Thalwil  
Tharamani, Chennai, Tamil Nadu  
Tirana  
Tokyo  
Tonbach  
Tripoli  
Ulm  
Ummahat Island, Red Sea Resort  
Usk Valley, London  
Vancouver  
Venice  
Vienna  
Vilamoura, Algarve  
Vilnius  
Vitznau  
Volgograd  
Voronezh  
Warsaw  
Washington, D. C.  
Weggis  
Weinheim  
Weißensberg  
Werder/Havel  
Westerburg/Westerwald  
Wiesbaden  
Wokingham  
Wolfsburg  
Würzburg  
Yangon  
Yarralumla, Canberra  
Yerevan

Zadar  
Zagreb  
Zakopane  
Zarrentin am Schaalsee  
Zurich

## Worldwide | References | Countries

Albania  
Algeria  
Armenia  
Australia  
Austria  
Azerbaijan  
Bahrain  
Belgium  
Bosnia Herzegovina  
Bulgaria  
Cameroon  
Canada  
China  
Croatia  
Cyprus  
Czech Republic  
Denmark  
Dominican Republic  
Egypt  
Equatorial Guinea  
Estonia  
Ethiopia  
Finland  
France  
Georgia  
Germany  
Ghana  
Greece  
Hong Kong/China  
Hungary  
Iceland  
India  
Israel  
Italy  
Jamaica  
Japan  
Jordan  
Kazakhstan  
Kuwait  
Latvia  
Libya  
Lithuania  
Luxemburg  
Macedonia  
Mauritania  
Mexico  
Morocco  
Myanmar  
Netherlands  
Nigeria  
North Macedonia  
Oman  
Philippines  
Poland  
Portugal  
Qatar  
Republic of Belarus  
Romania  
Russia  
Rwanda  
Saudi Arabia  
Seychelles  
Singapore  
Slovakia  
Slovenia  
South Africa  
South Korea  
Spain  
St. Lucia  
Sweden  
Switzerland  
Tansania  
Turkey  
UAE United Arab Emirates  
UK, Great Britain  
UK, Ireland  
UK, Scotland  
Ukraine  
USA  
Uzbekistan

[www.ventadesign.com](http://www.ventadesign.com)